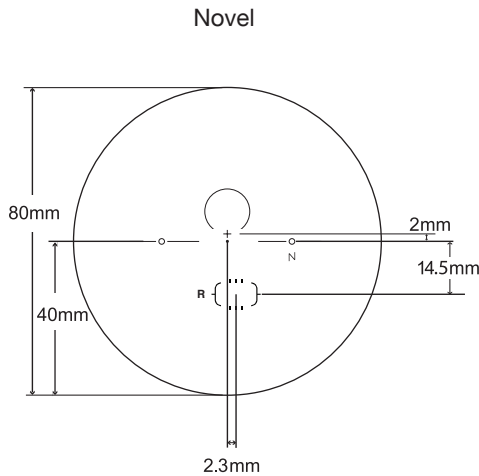


Product Reference Guide



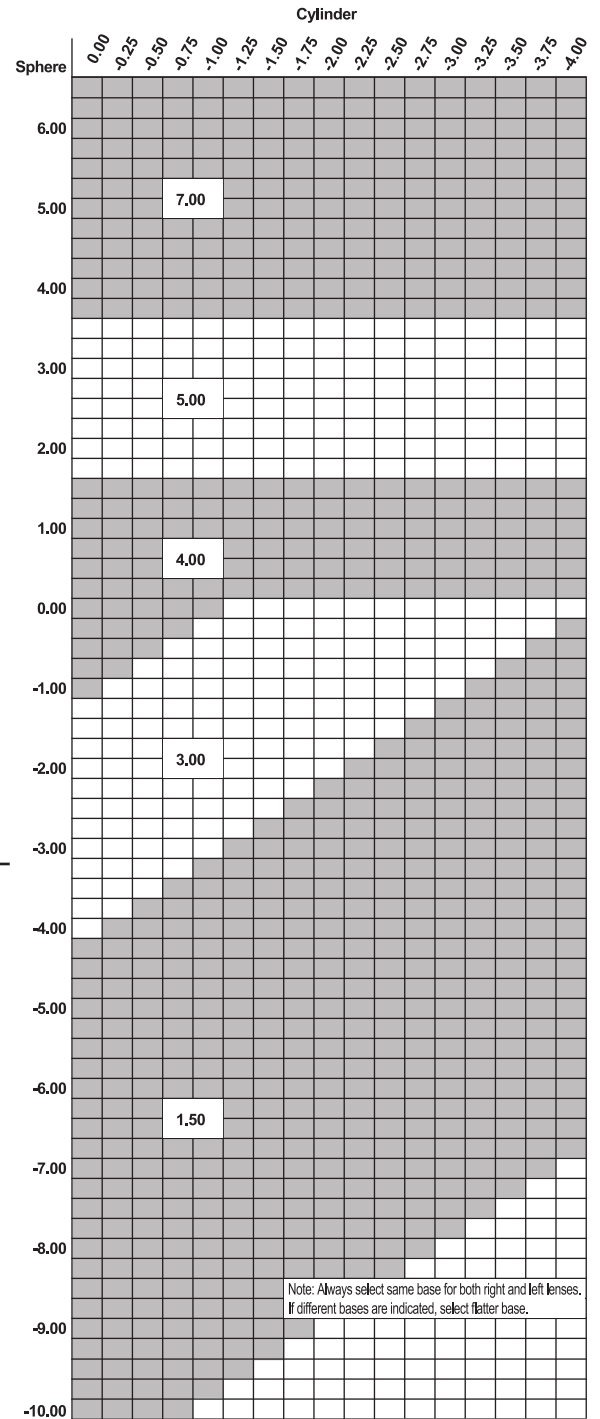
Plastic

Novel® Progressive Addition Lenses 80mm Progressive (Clear)

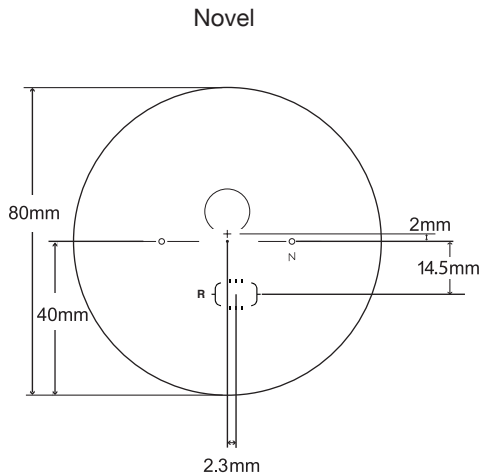
| Base Curve | True Curve (1.530) | Front Radius (mm) | 50mm SAG [†] | Back Curve | Back Radius (mm) | CT (mm) Nominal | ET (mm) Nominal | MRP Location |
|------------|--------------------|-------------------|-----------------------|------------|------------------|-----------------|-----------------|--------------|
| 1.50 | 1.44 | 368.05 | 0.85 | -6.35 | -83.46 | 11.8 | 18.5 | 2.0 A 0.0 In |
| 3.00 | 2.88 | 184.03 | 1.71 | -7.00 | -75.71 | 9.7 | 15.6 | 2.0 A 0.0 In |
| 4.00 | 4.20 | 126.19 | 2.50 | -7.00 | -75.71 | 8.0 | 12.1 | 2.0 A 0.0 In |
| 5.00 | 5.64 | 93.97 | 3.39 | -7.00 | -75.71 | 9.0 | 11.0 | 2.0 A 0.0 In |
| 7.00 | 7.14 | 73.92 | 4.36 | -5.90 | -89.83 | 13.0 | 11.3 | 2.0 A 0.0 In |

| Base Curve | Adds |
|------------|----------------|
| 1.50 | +1.00 to +3.00 |
| 3.00 | +1.00 to +3.00 |
| 4.00 | +1.00 to +3.00 |
| 5.00 | +1.00 to +3.00 |
| 7.00 | +1.00 to +3.00 |

Base Curve Selection



Product Reference Guide



Plastic

Novel® ChangeRx
Progressive Addition Lenses
 80mm Progressive (Gray, Brown)

| Base Curve | True Curve (1.530) | Front Radius (mm) | 50mm SAG* | Back Curve | Back Radius (mm) | CT (mm) Nominal | ET (mm) Nominal | MRP Location |
|------------|--------------------|-------------------|-----------|------------|------------------|-----------------|-----------------|--------------|
| 1.50 | 1.45 | 365.52 | 0.86 | -6.35 | -83.46 | 11.8 | 18.5 | 2.0 A 0.0 In |
| 3.00 | 2.88 | 184.03 | 1.71 | -7.00 | -75.71 | 9.7 | 15.6 | 2.0 A 0.0 In |
| 4.00 | 4.20 | 126.19 | 2.50 | -7.00 | -75.71 | 8.0 | 12.1 | 2.0 A 0.0 In |
| 5.00 | 5.64 | 93.97 | 3.39 | -7.00 | -75.71 | 9.0 | 11.0 | 2.0 A 0.0 In |
| 7.00 | 7.14 | 74.23 | 4.34 | -5.90 | -89.83 | 13.0 | 11.3 | 2.0 A 0.0 In |

| Base Curve | Adds |
|------------|----------------|
| 1.50 | +1.00 to +3.00 |
| 3.00 | +1.00 to +3.00 |
| 4.00 | +1.00 to +3.00 |
| 5.00 | +1.00 to +3.00 |
| 7.00 | +1.00 to +3.00 |

Base Curve Selection

