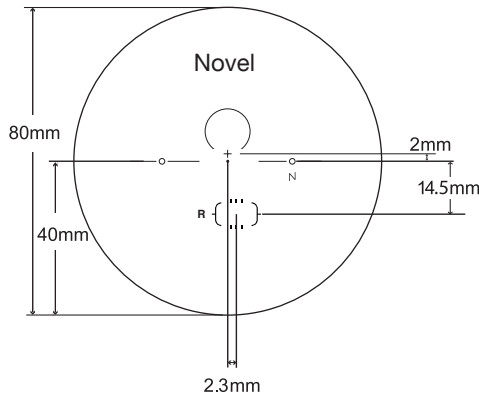
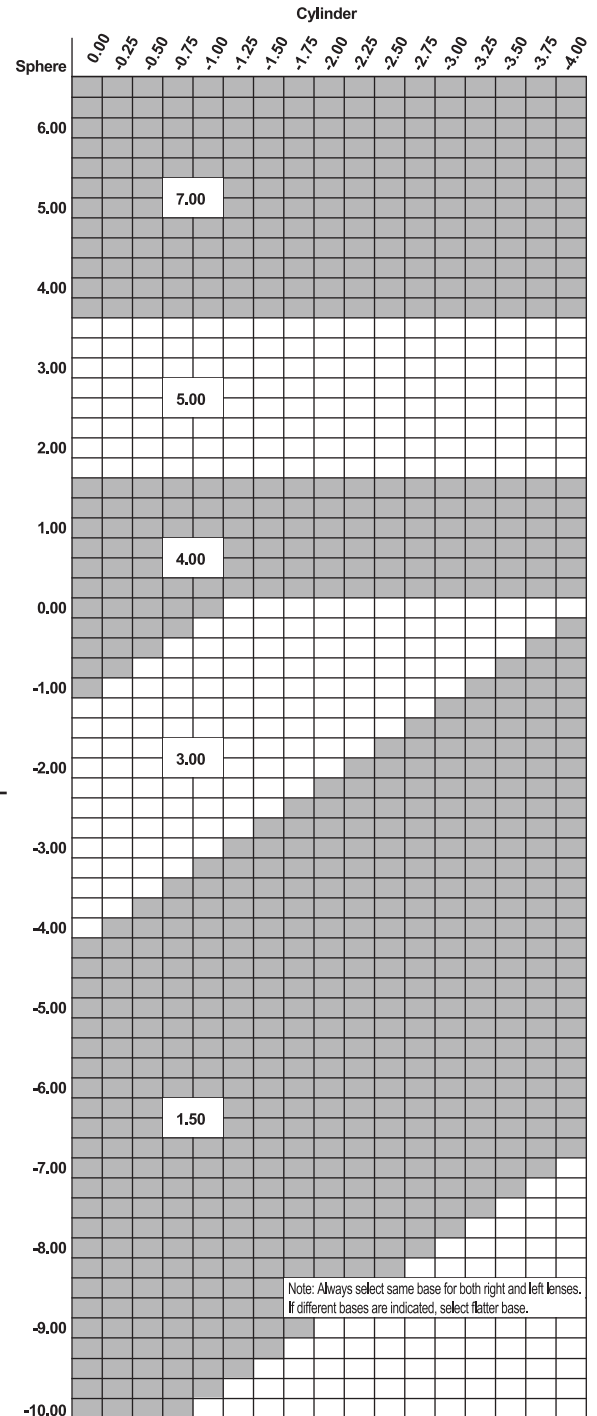


Product Reference Guide



Base Curve Selection



Polycarbonate

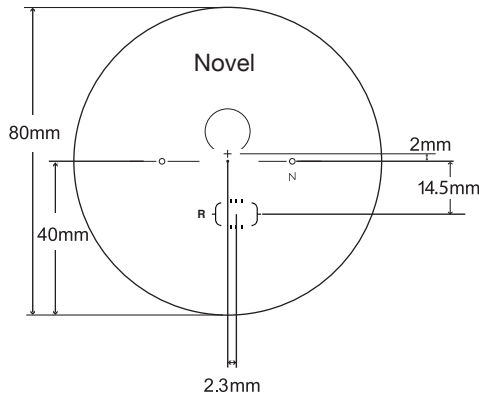
Novel® Aspheric Progressive Addition Lenses

80mm Progressive (Clear)

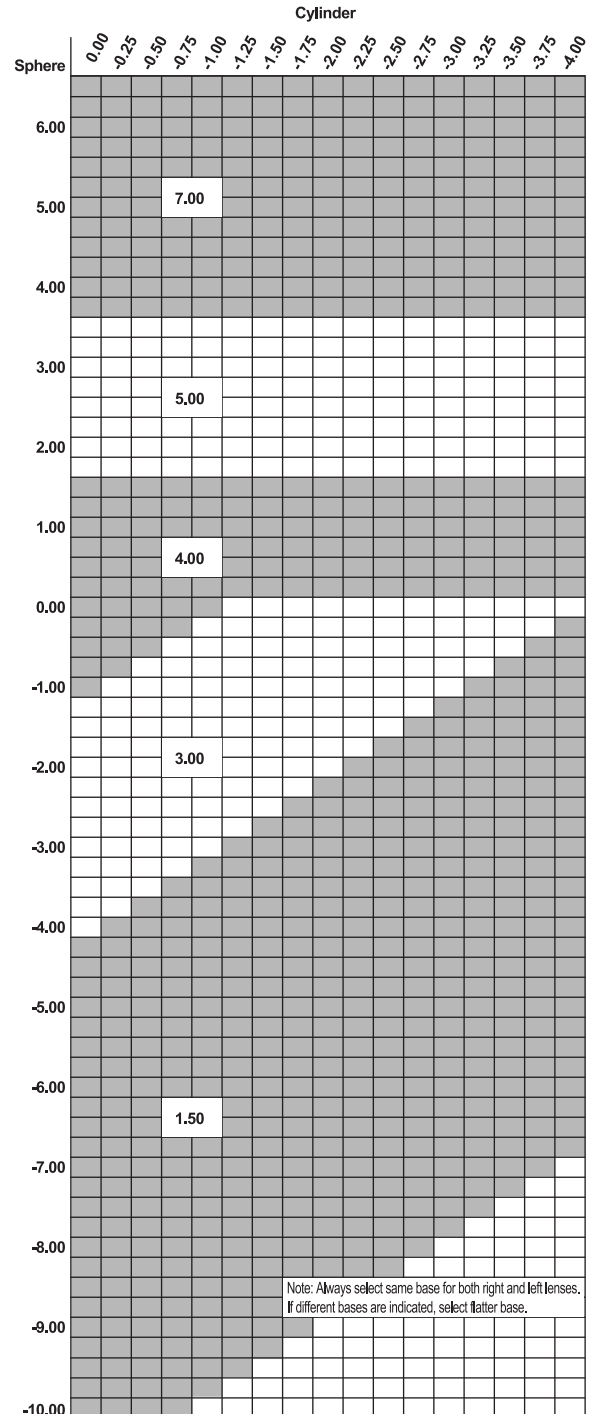
Base Curve	True Curve (1.530)	Front Radius (mm)	50mm SAG [†]	Back Curve	Back Radius (mm)	CT (mm) Nominal	ET (mm) Nominal	MRP Location
1.50	1.31	404.58	0.773	-7.50	-70.67	7.0	16.9	2.0 A 0.0 In
3.00	2.73	194.14	1.616	-6.25	-84.8	7.5	12.9	2.0 A 0.0 In
4.00	4.15	127.71	2.471	-6.25	-84.8	8.0	11.2	2.0 A 0.0 In
5.00	5.37	98.70	3.219	-6.25	-84.8	10.1	11.3	2.0 A 0.0 In
7.00	6.90	76.81	4.182	-7.50	-70.65	10.0	11.0	2.0 A 0.0 In

Base Curve	Adds
1.50	+1.00 to +3.00
3.00	+1.00 to +3.00
4.00	+1.00 to +3.00
5.00	+1.00 to +3.00
7.00	+1.00 to +3.00

Product Reference Guide



Base Curve Selection



Polycarbonate

Novel® Coppertone® Aspheric Progressive Addition Lenses

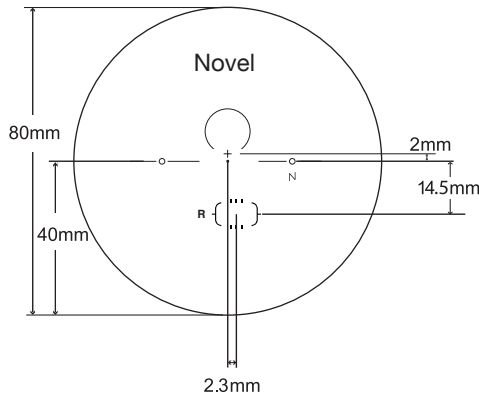
80mm Polarized Progressive (HEV Gray and HEV Brown)

Base Curve	True Curve (1.530)	Front Radius (mm)	50mm SAG*	Back Curve	Back Radius (mm)	CT (mm) Nominal	ET (mm) Nominal	MRP Location
1.50	1.31	404.58	0.773	-7.50	-70.67	7.0	16.9	2.0 A 0.0 In
3.00	2.73	194.14	1.616	-6.25	-84.8	7.5	12.9	2.0 A 0.0 In
4.00	4.15	127.71	2.471	-6.25	-84.8	8.0	11.2	2.0 A 0.0 In
5.00	5.37	98.70	3.219	-6.25	-84.8	10.1	11.3	2.0 A 0.0 In
7.00	6.90	76.81	4.182	-7.50	-70.65	10.0	11.0	2.0 A 0.0 In

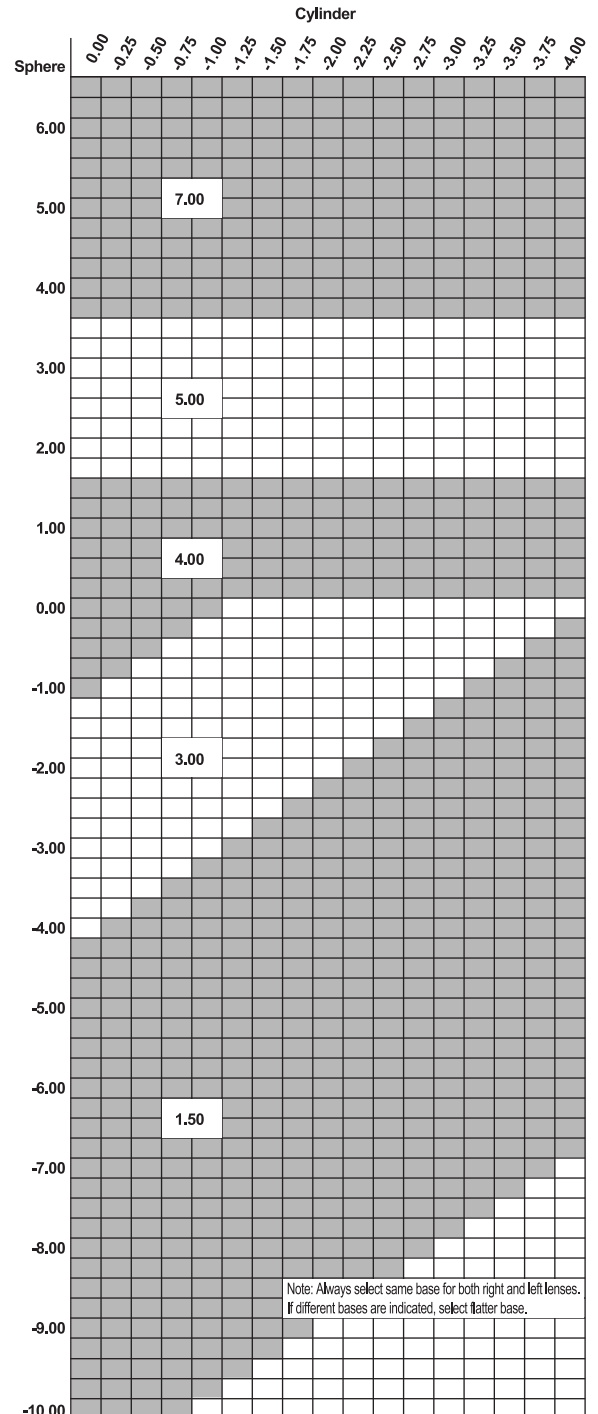
Base Curve	HEV Gray	HEV Brown
1.50	+1.00 to +3.00	+1.00 to +3.00
3.00	+1.00 to +3.00	+1.00 to +3.00
4.00	+1.00 to +3.00	+1.00 to +3.00
5.00	+1.00 to +3.00	+1.00 to +3.00
7.00	+1.00 to +3.00	+1.00 to +3.00

*Utilized for power calculation only, not for thickness calculation.

Product Reference Guide



Base Curve Selection



Polycarbonate

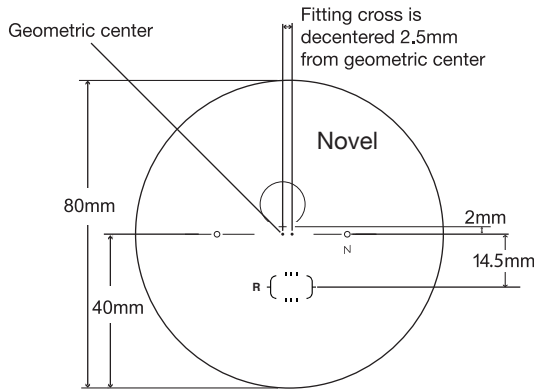
Novel® LifeRx® Aspheric Progressive Addition Lenses

80mm Photochromic Progressive (Gray and Brown)

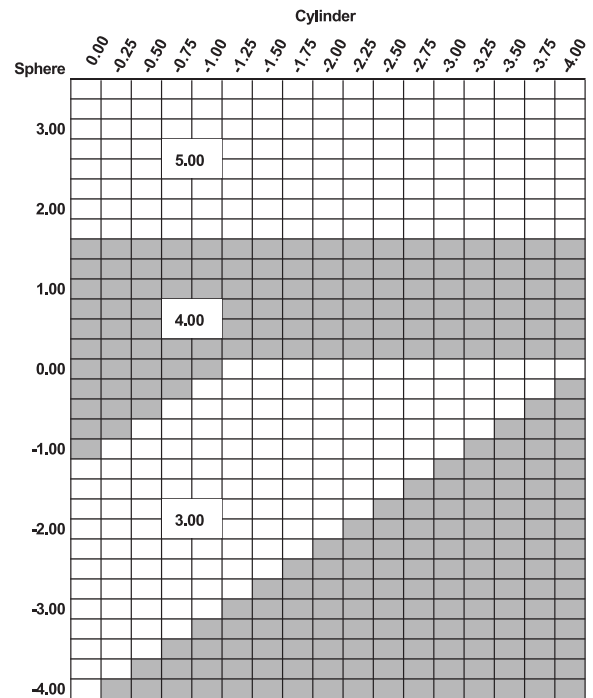
Base Curve	True Curve (1.530)	Front Radius (mm)	50mm SAG [†]	Back Curve	Back Radius (mm)	CT (mm) Nominal	ET (mm) Nominal	MRP Location
1.50	1.31	404.58	0.773	-7.50	-70.67	7.0	16.9	2.0 A 0.0 In
3.00	2.73	194.14	1.616	-6.25	-84.8	7.5	12.9	2.0 A 0.0 In
4.00	4.15	127.71	2.471	-6.25	-84.8	8.0	11.2	2.0 A 0.0 In
5.00	5.37	98.70	3.219	-6.25	-84.8	10.1	11.3	2.0 A 0.0 In
7.00	6.90	76.81	4.182	-7.50	-70.65	10.0	11.0	2.0 A 0.0 In

Base Curve	Adds
1.50	+1.00 to +3.00
3.00	+1.00 to +3.00
4.00	+1.00 to +3.00
5.00	+1.00 to +3.00
7.00	+1.00 to +3.00

Product Reference Guide



Base Curve Selection



Polycarbonate

Novel® Coppertone® Aspheric (Decentered) Progressive Addition Lenses

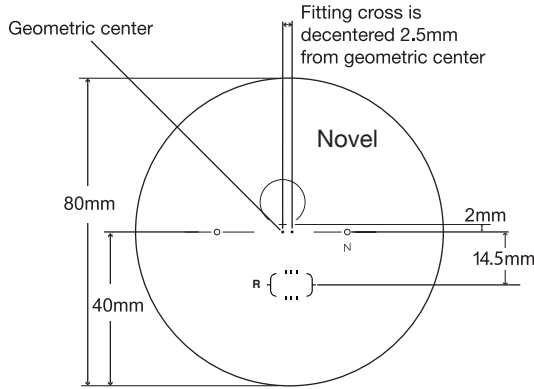
80/85mm Polarized Progressive (HEV Gray, HEV Brown, HEV Green)

Base Curve	True Curve (1.530)	Front Radius (mm)	50mm SAG*	Back Curve	Back Radius (mm)	CT (mm) Nominal	ET (mm) Nominal	MRP Location
1.50	1.31	404.58	0.773	-7.50	-70.67	7.0	16.9	2.0 A 2.5 In
3.00	2.73	194.14	1.616	-6.25	-84.8	7.5	12.9	2.0 A 2.5 In
4.00	4.15	127.71	2.471	-6.25	-84.8	8.0	11.2	2.0 A 2.5 In
5.00	5.37	98.70	3.219	-6.25	-84.8	10.1	11.3	2.0 A 2.5 In
7.00	6.90	76.81	4.182	-7.50	-70.65	10.0	11.0	2.0 A 2.5 In

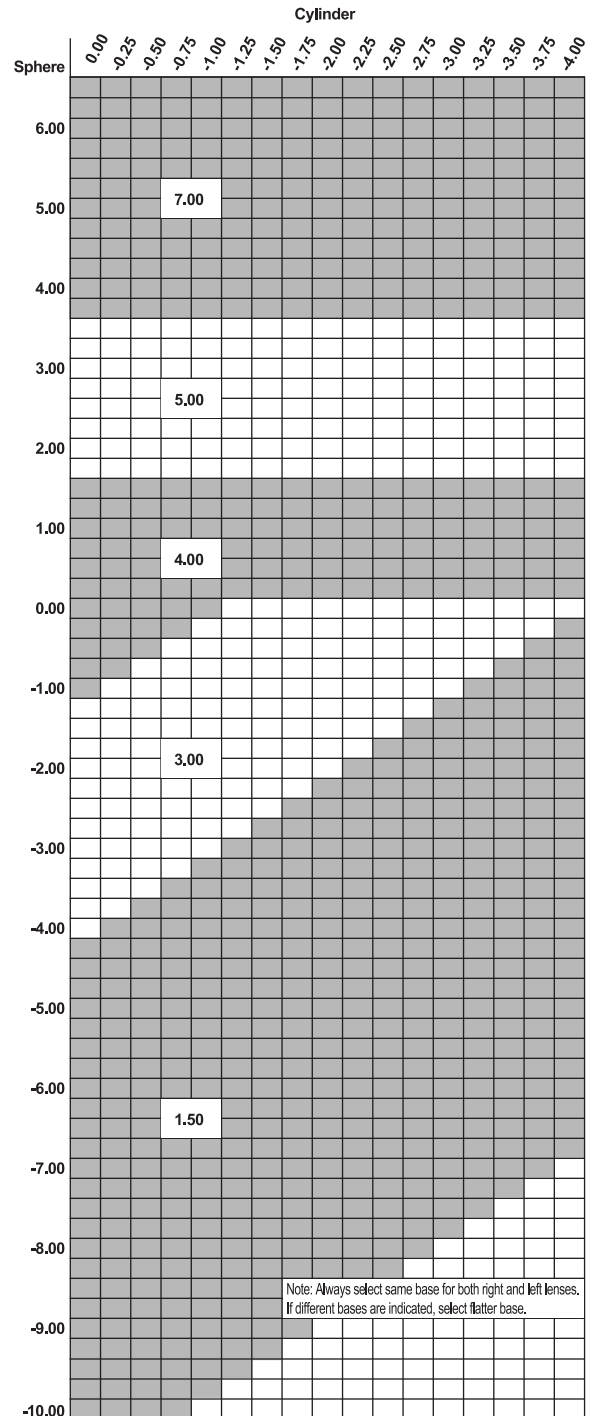
Base Curve	HEV Gray	HEV Brown	HEV Green
1.50	+1.00 to +3.00	+1.00 to +3.00	+1.00 to +3.00
3.00	+1.00 to +3.00	+1.00 to +3.00	+1.00 to +3.00
4.00	+1.00 to +3.00	+1.00 to +3.00	+1.00 to +3.00
5.00	+1.00 to +3.00	+1.00 to +3.00	+1.00 to +3.00
7.00	+1.00 to +3.00	+1.00 to +3.00	+1.00 to +3.00

*Utilized for power calculation only, not for thickness calculation.

Product Reference Guide



Base Curve Selection



Polycarbonate

Novel® SunRx® Aspheric (Decentered) Progressive Addition Lenses

80/85mm Polarized Progressive (Gray and Brown)

Base Curve	True Curve (1.530)	Front Radius (mm)	50mm SAG*	Back Curve	Back Radius (mm)	CT (mm) Nominal	ET (mm) Nominal	MRP Location
1.50	1.31	404.58	0.773	-7.50	-70.67	7.0	16.9	2.0 A 2.5 In
3.00	2.73	194.14	1.616	-6.25	-84.8	7.5	12.9	2.0 A 2.5 In
4.00	4.15	127.71	2.471	-6.25	-84.8	8.0	11.2	2.0 A 2.5 In
5.00	5.37	98.70	3.219	-6.25	-84.8	10.1	11.3	2.0 A 2.5 In
7.00	6.90	76.81	4.182	-7.50	-70.65	10.0	11.0	2.0 A 2.5 In

Base Curve	Gray	Brown
1.50	+1.00 to +3.00	+1.00 to +3.00
3.00	+1.00 to +3.00	+1.00 to +3.00
4.00	+1.00 to +3.00	+1.00 to +3.00
5.00	+1.00 to +3.00	+1.00 to +3.00
7.00	+1.00 to +3.00	+1.00 to +3.00

*Utilized for power calculation only, not for thickness calculation.