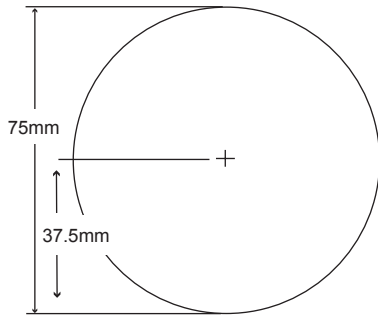
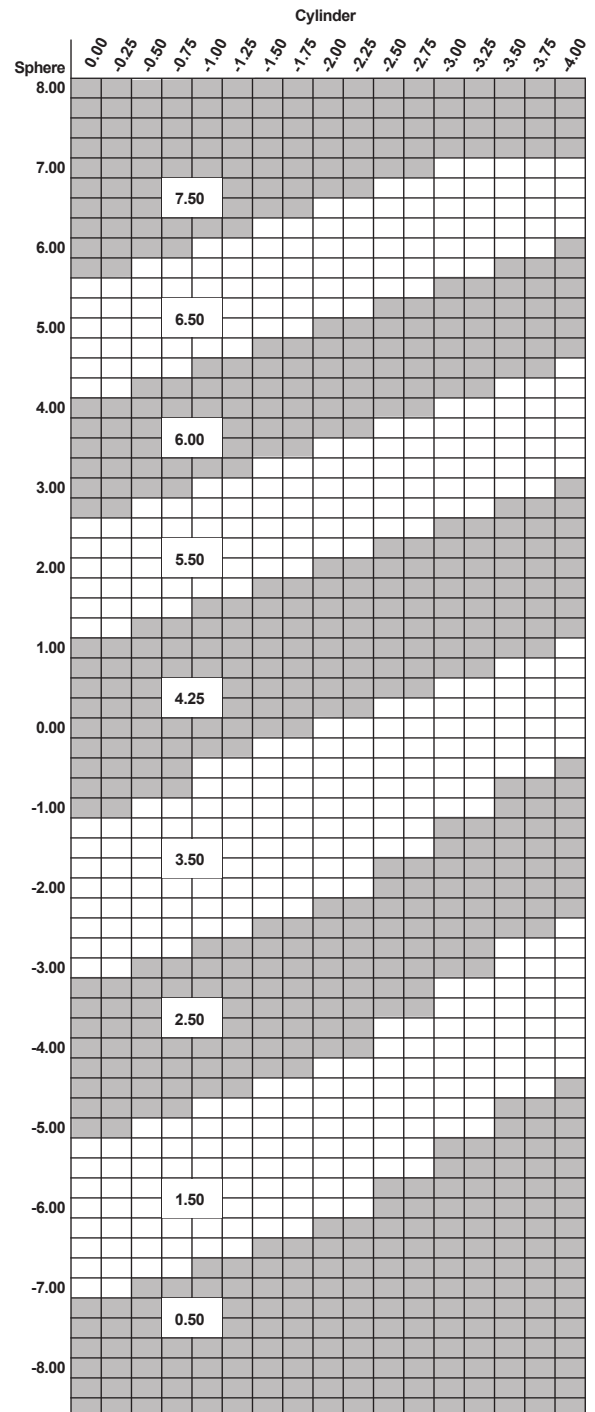


# Product Reference Guide



## Base Curve Selection



## Polycarbonate

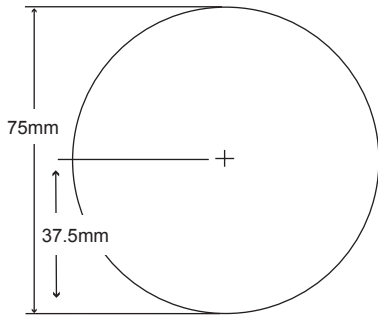
### LifeRx® Light-Responsive Aspheric Semi-Finished Single Vision

75mm Photochromic Aspheric Single Vision (Gray, Brown)

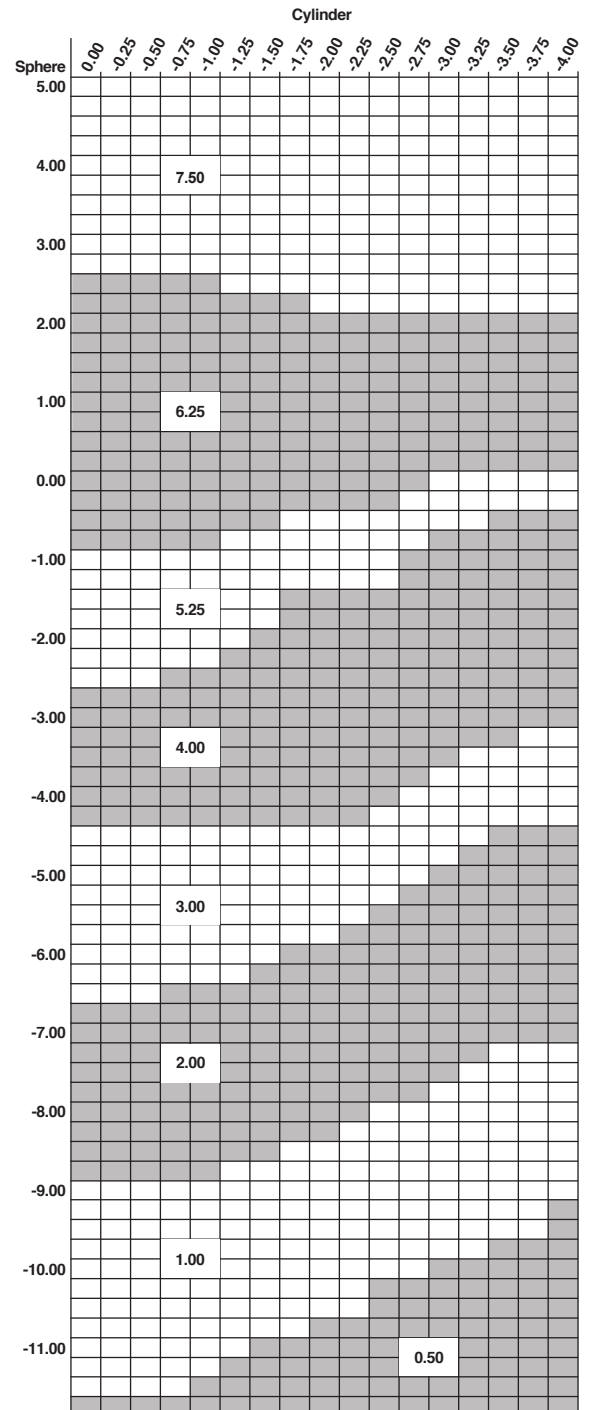
| Base Curve | True Curve (1.530) | Front Radius | 50mm SAG* | Back Curve | Back Radius | CT (mm) Nominal | ET (mm) Nominal | Drop  | Inset  |
|------------|--------------------|--------------|-----------|------------|-------------|-----------------|-----------------|-------|--------|
| 0.50       | 0.68               | 779.412      | 0.401     | -6.25      | -84.800     | 8.7             | 16.0            | 0.0 D | 0.0 In |
| 1.50       | 1.59               | 333.333      | 0.939     | -6.25      | -84.800     | 9.8             | 16.0            | 0.0 D | 0.0 In |
| 2.50       | 2.48               | 213.710      | 1.467     | -6.25      | -84.800     | 8.9             | 14.0            | 0.0 D | 0.0 In |
| 3.50       | 3.38               | 156.805      | 2.006     | -6.25      | -84.800     | 8.0             | 12.0            | 0.0 D | 0.0 In |
| 4.25       | 4.28               | 123.832      | 2.550     | -6.25      | -84.800     | 7.0             | 10.0            | 0.0 D | 0.0 In |
| 5.50       | 5.59               | 94.812       | 3.355     | -6.25      | -84.800     | 6.7             | 8.0             | 0.0 D | 0.0 In |
| 6.00       | 6.01               | 88.186       | 3.618     | -6.25      | -84.800     | 7.0             | 8.0             | 0.0 D | 0.0 In |
| 6.50       | 6.64               | 79.819       | 4.016     | -6.25      | -84.800     | 7.6             | 8.0             | 0.0 D | 0.0 In |
| 7.50       | 7.59               | 69.829       | 5.251     | -6.25      | -84.800     | 8.9             | 8.0             | 0.0 D | 0.0 In |

\*Utilized for power calculation only, not for thickness calculation.

# Product Reference Guide



Base Curve Selection



## Polycarbonate

### LifeRx® Light-Responsive Semi-Finished Single Vision

75mm Photochromic Single Vision (Gray, Brown)

| Base Curve | True Curve (1.530) | Front Radius | 50mm SAG* | Back Curve | Back Radius | CT (mm) Nominal | CT (mm) Minimum | ET (mm) Nominal |
|------------|--------------------|--------------|-----------|------------|-------------|-----------------|-----------------|-----------------|
| 0.50       | 0.45               | 1177.778     | 0.265     | -6.25      | -84.800     | 9.4             | 8.9             | 17.5            |
| 1.00       | 1.13               | 469.027      | 0.667     | -6.25      | -84.800     | 10.2            | 9.7             | 17.4            |
| 2.00       | 2.03               | 261.084      | 1.200     | -6.25      | -84.800     | 8.0             | 7.5             | 14.0            |
| 3.00       | 2.94               | 180.272      | 1.742     | -6.25      | -84.800     | 9.2             | 8.7             | 14.0            |
| 4.00       | 4.07               | 130.221      | 2.422     | -6.25      | -84.800     | 8.8             | 8.3             | 12.0            |
| 5.25       | 5.20               | 101.923      | 3.114     | -6.25      | -84.800     | 8.6             | 8.1             | 10.2            |
| 6.25       | 6.33               | 83.728       | 3.819     | -6.25      | -84.800     | 8.1             | 7.6             | 8.0             |
| 7.50       | 7.46               | 71.046       | 4.544     | -6.25      | -84.800     | 9.0             | 8.5             | 7.0             |

\*Utilized for power calculation only, not for thickness calculation.

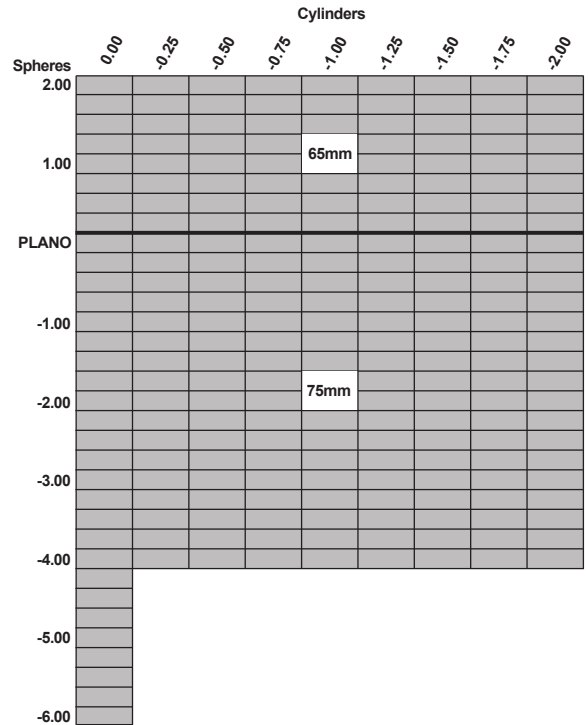
# Product Reference Guide

## Polycarbonate

### LifeRx® FSV/FSV Vivid AR Photochromic

65mm/75mm Finished Single Vision (Gray)

### Base Curve Selection



| Sphere Power<br>Up to -2.00 cyl | Base<br>Curve | Curve<br>Radius | Center<br>Thickness |
|---------------------------------|---------------|-----------------|---------------------|
| +2.00                           | 5.20          | 101.923         | 3.0                 |
| +1.75                           | 5.20          | 101.923         | 2.8                 |
| +1.50                           | 5.20          | 101.923         | 2.6                 |
| +1.25                           | 5.20          | 101.923         | 2.4                 |
| +1.00                           | 5.20          | 101.923         | 2.1                 |
| +0.75                           | 5.20          | 101.923         | 1.9                 |
| +0.50                           | 5.20          | 101.923         | 1.9                 |
| +0.25                           | 5.20          | 101.923         | 1.8                 |
| Plano                           | 4.07          | 130.221         | 1.9                 |
| -0.25                           | 4.07          | 130.221         | 1.8                 |
| -0.50                           | 4.07          | 130.221         | 1.8                 |
| -0.75                           | 4.07          | 130.221         | 1.7                 |
| -1.00                           | 2.94          | 180.272         | 1.7                 |
| -1.25                           | 2.94          | 180.272         | 1.7                 |
| -1.50                           | 2.94          | 180.272         | 1.7                 |
| -1.75                           | 2.94          | 180.272         | 1.6                 |
| -2.00                           | 2.94          | 180.272         | 1.6                 |
| -2.25                           | 2.94          | 180.272         | 1.5                 |
| -2.50                           | 2.94          | 180.272         | 1.5                 |
| -2.75                           | 2.94          | 180.272         | 1.5                 |
| -3.00                           | 2.03          | 261.087         | 1.5                 |
| -3.25                           | 2.03          | 261.087         | 1.5                 |
| -3.50                           | 2.03          | 261.087         | 1.5                 |
| -3.75                           | 2.03          | 261.087         | 1.5                 |
| -4.00                           | 2.03          | 261.087         | 1.5                 |
| -4.25                           | 2.03          | 261.087         | 1.5                 |
| -4.50                           | 2.03          | 261.087         | 1.5                 |
| -4.75                           | 2.03          | 261.087         | 1.5                 |
| -5.00                           | 2.03          | 261.087         | 1.5                 |
| -5.25                           | 1.13          | 469.027         | 1.5                 |
| -5.50                           | 1.13          | 469.027         | 1.5                 |
| -5.75                           | 1.13          | 469.027         | 1.5                 |
| -6.00                           | 1.13          | 469.027         | 1.5                 |

# Product Reference Guide

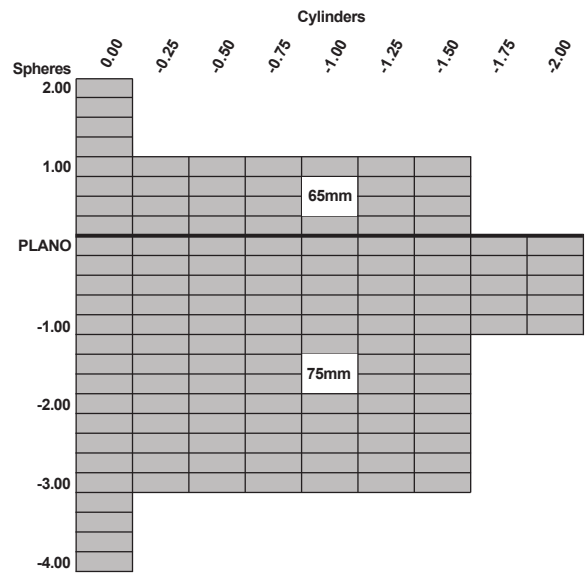
## Polycarbonate

### LifeRx® FSV/FSV Vivid AR Photochromic

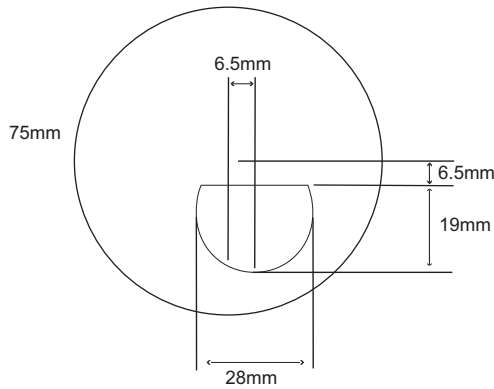
65mm/75mm Finished Single Vision (Brown)

Base Curve Selection

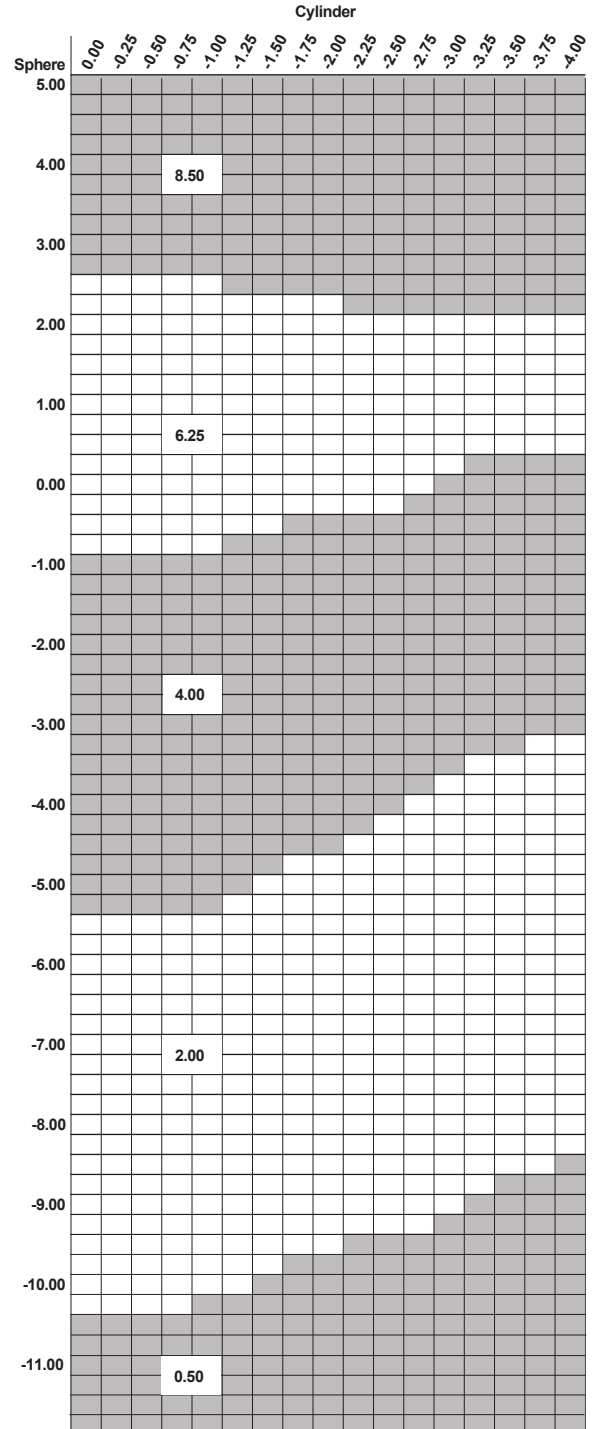
| Sphere Power<br>Up to -2.00 cyl | Base<br>Curve | Curve<br>Radius | Center<br>Thickness |
|---------------------------------|---------------|-----------------|---------------------|
| +2.00                           | 5.20          | 101.923         | 3.0                 |
| +1.75                           | 5.20          | 101.923         | 2.8                 |
| +1.50                           | 5.20          | 101.923         | 2.6                 |
| +1.25                           | 5.20          | 101.923         | 2.4                 |
| +1.00                           | 5.20          | 101.923         | 2.1                 |
| +0.75                           | 5.20          | 101.923         | 1.9                 |
| +0.50                           | 5.20          | 101.923         | 1.9                 |
| +0.25                           | 5.20          | 101.923         | 1.8                 |
| Plano                           | 4.07          | 130.221         | 1.9                 |
| -0.25                           | 4.07          | 130.221         | 1.8                 |
| -0.50                           | 4.07          | 130.221         | 1.8                 |
| -0.75                           | 4.07          | 130.221         | 1.7                 |
| -1.00                           | 2.94          | 180.272         | 1.7                 |
| -1.25                           | 2.94          | 180.272         | 1.7                 |
| -1.50                           | 2.94          | 180.272         | 1.7                 |
| -1.75                           | 2.94          | 180.272         | 1.6                 |
| -2.00                           | 2.94          | 180.272         | 1.6                 |
| -2.25                           | 2.94          | 180.272         | 1.5                 |
| -2.50                           | 2.94          | 180.272         | 1.5                 |
| -2.75                           | 2.94          | 180.272         | 1.5                 |
| -3.00                           | 2.03          | 261.087         | 1.5                 |
| -3.25                           | 2.03          | 261.087         | 1.5                 |
| -3.50                           | 2.03          | 261.087         | 1.5                 |
| -3.75                           | 2.03          | 261.087         | 1.5                 |
| -4.00                           | 2.03          | 261.087         | 1.5                 |



# Product Reference Guide



Base Curve Selection



## Polycarbonate

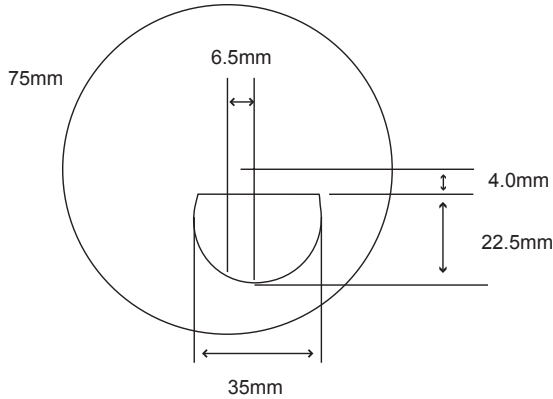
**LifeRx® Light-Responsive Bifocal**  
75mm Photochromic Spherical D28 Bifocal (Gray, Brown)

| Base Curve | True Curve (1.530) | Front Radius | 50mm SAG* | Back Curve | Back Radius | CT (mm) Nominal | ET (mm) Nominal | Drop  | Inset  |
|------------|--------------------|--------------|-----------|------------|-------------|-----------------|-----------------|-------|--------|
| 0.50       | 0.44               | 1204.54      | 0.260     | -6.25      | -84.800     | 8.9             | 17.0            | 6.5 D | 6.5 In |
| 2.00       | 2.03               | 261.084      | 1.200     | -6.25      | -84.800     | 8.0             | 14.0            | 6.5 D | 6.5 In |
| 4.00       | 4.07               | 130.221      | 2.422     | -6.25      | -84.800     | 8.8             | 12.0            | 6.5 D | 6.5 In |
| 6.25       | 6.36               | 83.333       | 3.838     | -6.25      | -84.800     | 8.6             | 8.5             | 6.5 D | 6.5 In |
| 8.50       | 8.59               | 61.69        | 5.290     | -7.50      | -70.667     | 9.0             | 7.0             | 6.5 D | 6.5 In |

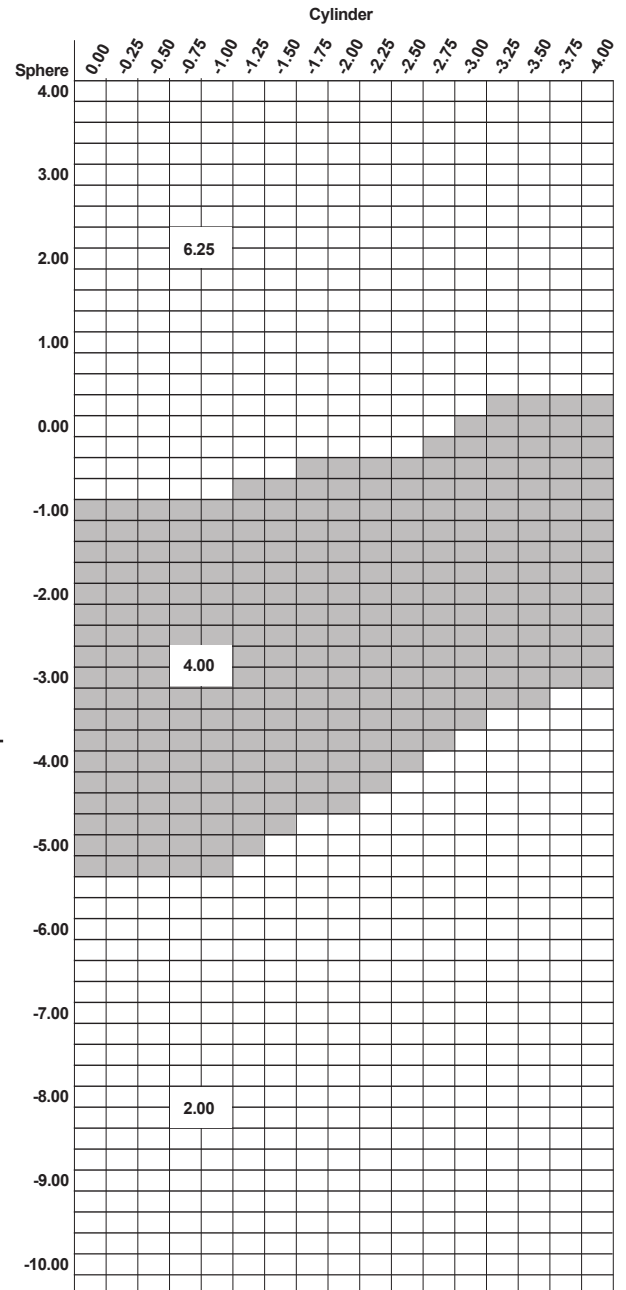
| Base Curve | Gray           | Brown          |
|------------|----------------|----------------|
| 0.50       | +2.00 to +3.00 | +2.00 to +3.00 |
| 2.00       | +1.00 to +4.00 | +1.00 to +4.00 |
| 4.00       | +1.00 to +4.00 | +1.00 to +4.00 |
| 6.25       | +1.00 to +4.00 | +1.00 to +4.00 |
| 8.50       | +1.00 to +4.00 | +1.00 to +4.00 |

\*Utilized for power calculation only, not for thickness calculation.

# Product Reference Guide



## Base Curve Selection



## Polycarbonate

### LifeRx® Light-Responsive Bifocal

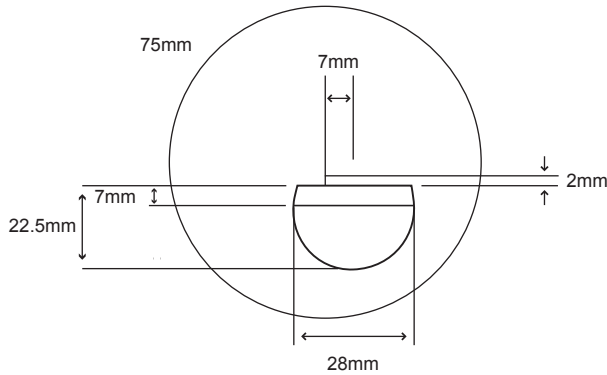
75mm Photochromic Spherical D35 Bifocal (Gray, Brown)

| Base Curve | True Curve (1.530) | Front Radius | 50mm SAG* | Back Curve | Back Radius | CT (mm) Nominal | ET (mm) Nominal | Drop  | Inset  |
|------------|--------------------|--------------|-----------|------------|-------------|-----------------|-----------------|-------|--------|
| 2.00       | 2.03               | 261.084      | 1.200     | -6.25      | -84.800     | 8.0             | 14.0            | 4.0 D | 6.5 In |
| 4.00       | 4.07               | 130.221      | 2.422     | -6.25      | -84.800     | 8.8             | 12.0            | 4.0 D | 6.5 In |
| 6.25       | 6.33               | 83.728       | 3.819     | -6.25      | -84.800     | 8.6             | 8.5             | 4.0 D | 6.5 In |

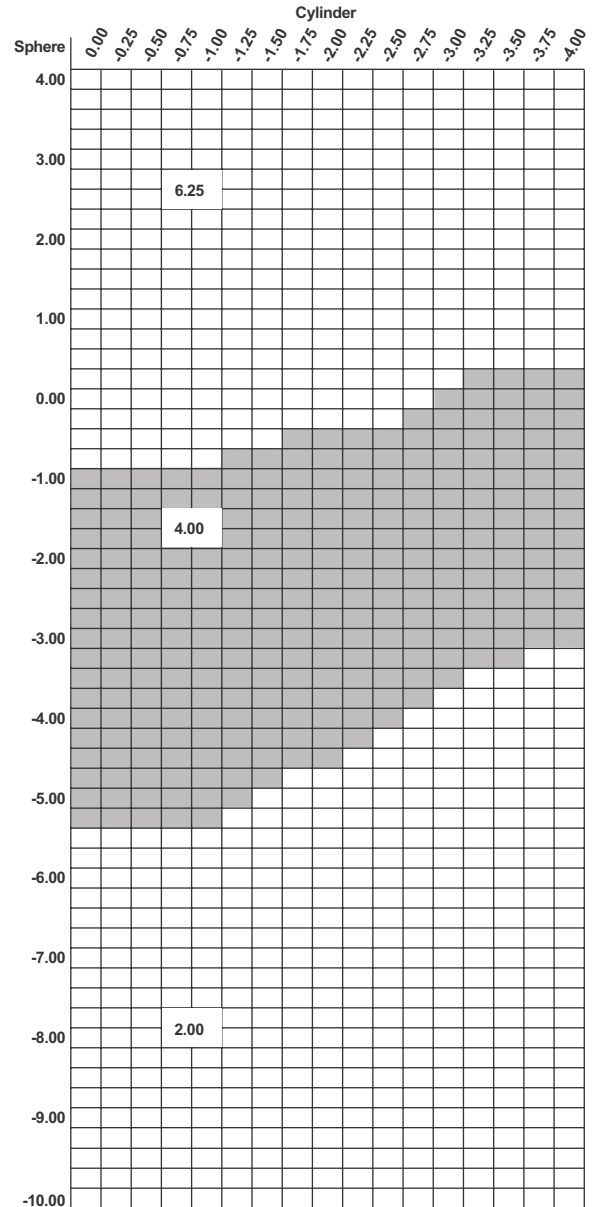
| Base Curve | Gray           | Brown          |
|------------|----------------|----------------|
| 2.00       | +1.00 to +3.00 | +1.00 to +3.00 |
| 4.00       | +1.00 to +3.00 | +1.00 to +3.00 |
| 6.25       | +1.00 to +3.00 | +1.00 to +3.00 |

\*Utilized for power calculation only, not for thickness calculation.

# Product Reference Guide



## Base Curve Selection



## Polycarbonate

### LifeRx® Light-Responsive Trifocal

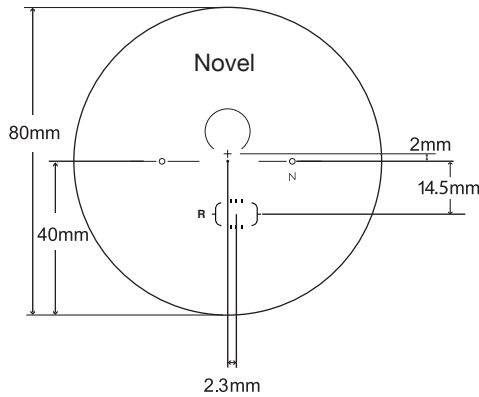
75mm Photochromic Spherical 7x28 Trifocal (Gray, Brown)

| Base Curve | True Curve (1.530) | Front Radius | 50mm SAG* | Back Curve | Back Radius | CT (mm) Nominal | ET (mm) Nominal Drop | Inset  |
|------------|--------------------|--------------|-----------|------------|-------------|-----------------|----------------------|--------|
| 2.00       | 2.03               | 261.084      | 1.200     | -6.25      | -84.800     | 8.0             | 14.0 2.0 D           | 7.0 In |
| 4.00       | 4.07               | 130.221      | 2.422     | -6.25      | -84.800     | 8.8             | 12.0 2.0 D           | 7.0 In |
| 6.25       | 6.36               | 83.333       | 3.838     | -6.25      | -84.800     | 8.6             | 8.5 2.0 D            | 7.0 In |

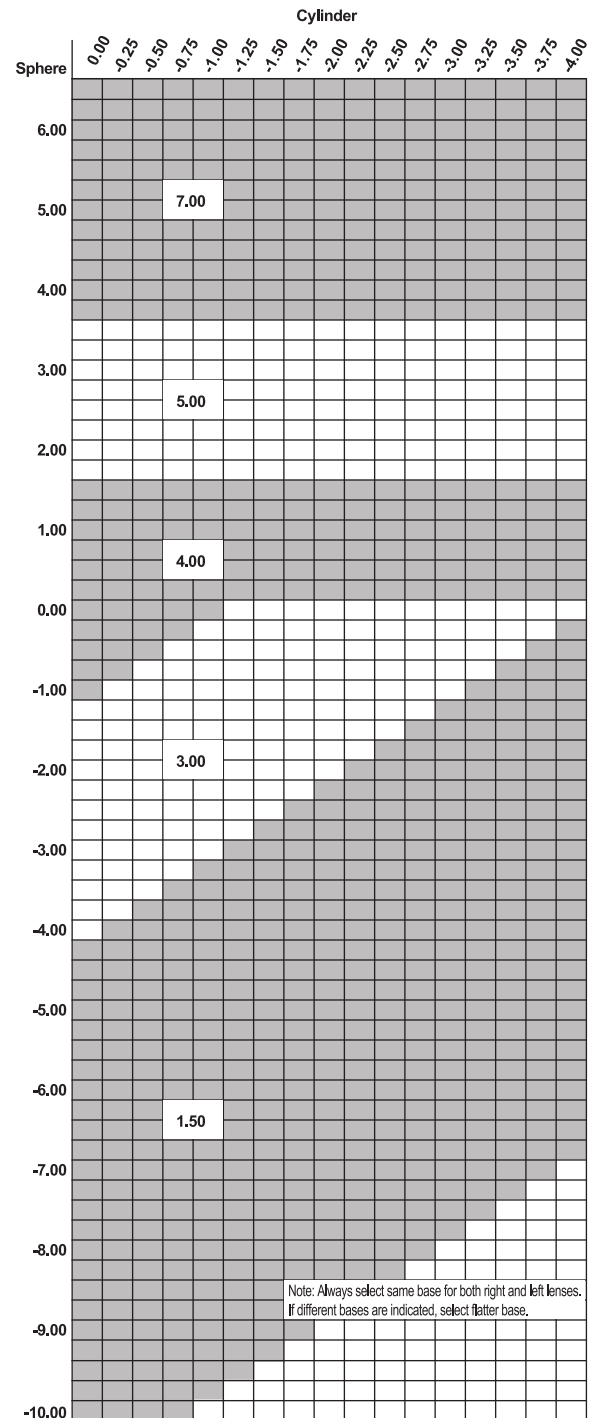
| Base Curve | Gray           | Brown          |
|------------|----------------|----------------|
| 2.00       | +1.50 to +3.00 | +1.50 to +3.00 |
| 4.00       | +1.50 to +3.00 | +1.50 to +3.00 |
| 6.25       | +1.50 to +3.00 | +1.50 to +3.00 |

\*Utilized for power calculation only, not for thickness calculation.

# Product Reference Guide



## Base Curve Selection



## Polycarbonate

### Novel® LifeRx® Aspheric Progressive Addition Lenses

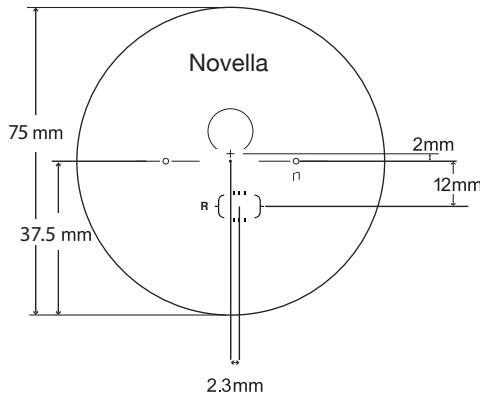
80mm Photochromic Progressive (Gray and Brown)

| Base Curve | True Curve (1.530) | Front Radius (mm) | 50mm SAG* | Back Curve | Back Radius (mm) | CT (mm) Nominal | ET (mm) Nominal | MRP Location |
|------------|--------------------|-------------------|-----------|------------|------------------|-----------------|-----------------|--------------|
| 1.50       | 1.31               | 404.58            | 0.773     | -7.50      | -70.67           | 7.0             | 16.9            | 2.0 A 0.0 In |
| 3.00       | 2.73               | 194.14            | 1.616     | -6.25      | -84.8            | 7.5             | 12.9            | 2.0 A 0.0 In |
| 4.00       | 4.15               | 127.71            | 2.471     | -6.25      | -84.8            | 8.0             | 11.2            | 2.0 A 0.0 In |
| 5.00       | 5.37               | 98.70             | 3.219     | -6.25      | -84.8            | 10.1            | 11.3            | 2.0 A 0.0 In |
| 7.00       | 6.90               | 76.81             | 4.182     | -7.50      | -70.65           | 10.0            | 11.0            | 2.0 A 0.0 In |

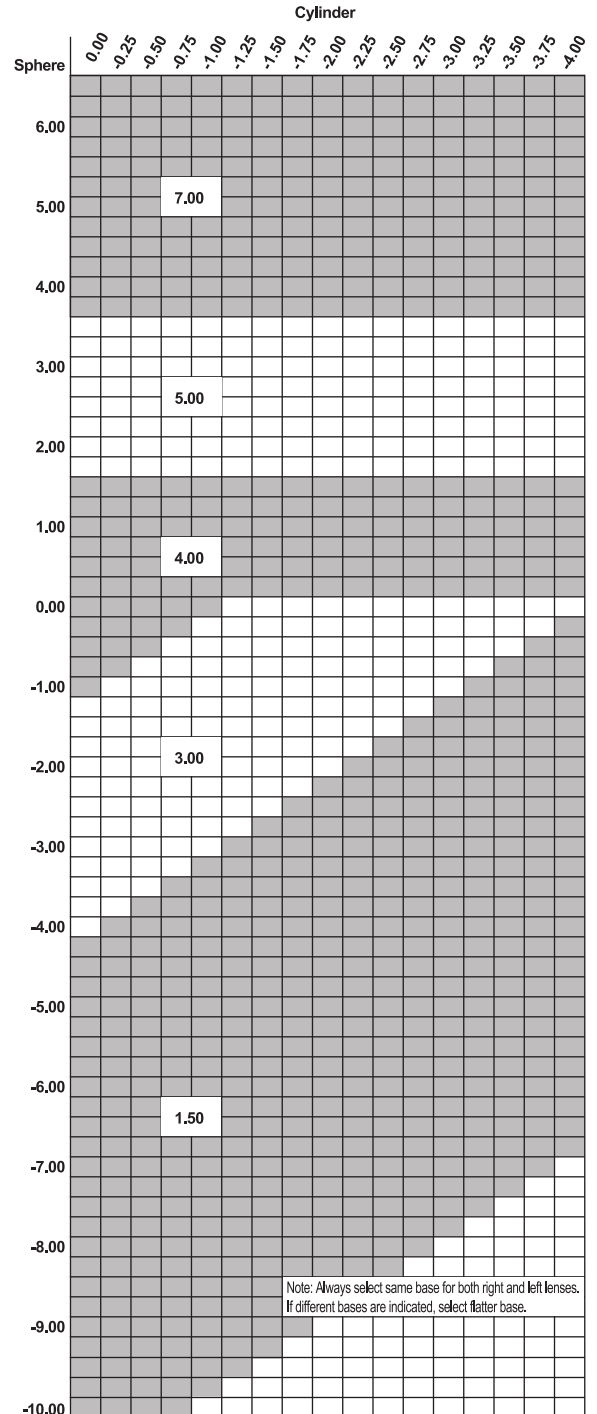
| Base Curve | Adds           |
|------------|----------------|
| 1.50       | +1.00 to +3.00 |
| 3.00       | +1.00 to +3.00 |
| 4.00       | +1.00 to +3.00 |
| 5.00       | +1.00 to +3.00 |
| 7.00       | +1.00 to +3.00 |



# Product Reference Guide



Base Curve Selection



## Polycarbonate

### Novella® LifeRx® Aspheric Progressive Addition Lenses

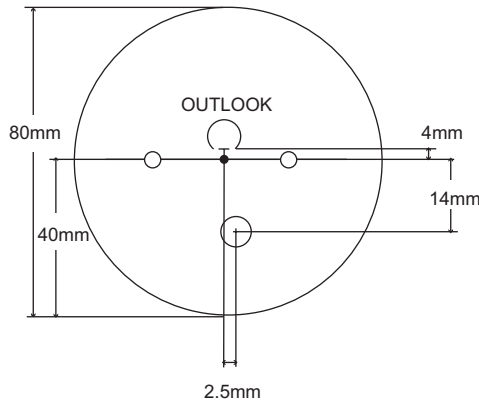
75mm Photochromic Progressive (Gray and Brown)

| Base Curve | True Curve (1.530) | Front Radius | 50mm SAG* | Back Curve | Back Radius | CT (mm) Nominal | ET (mm) Nominal | MRP   | Location |
|------------|--------------------|--------------|-----------|------------|-------------|-----------------|-----------------|-------|----------|
| 1.50       | 1.22               | 434.426      | 0.720     | -7.50      | -70.65      | 7.0             | 16.9            | 2.0 A | 0.0 In   |
| 3.00       | 2.65               | 200.00       | 1.568     | -6.25      | -84.8       | 7.5             | 12.9            | 2.0 A | 0.0 In   |
| 4.00       | 4.07               | 130.221      | 2.422     | -6.25      | -84.8       | 8.0             | 11.2            | 2.0 A | 0.0 In   |
| 5.00       | 5.29               | 100.19       | 3.170     | -6.25      | -84.8       | 10.1            | 11.3            | 2.0 A | 0.0 In   |
| 7.00       | 6.82               | 77.713       | 4.131     | -7.50      | -70.65      | 10.0            | 11.0            | 2.0 A | 0.0 In   |

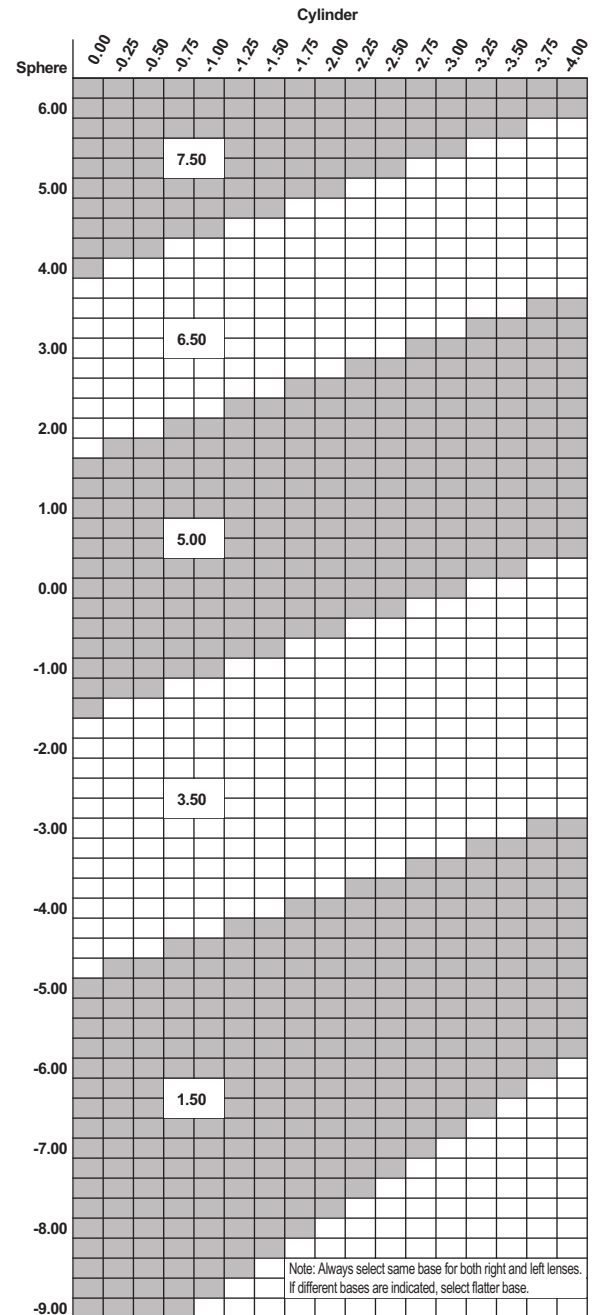
| Base Curve | Clear          |
|------------|----------------|
| 1.50       | +1.00 to +3.00 |
| 3.00       | +1.00 to +3.00 |
| 4.00       | +1.00 to +3.00 |
| 5.00       | +1.00 to +3.00 |
| 7.00       | +1.00 to +3.00 |

\*Utilized for power calculation only, not for thickness calculation.

# Product Reference Guide



## Base Curve Selection



## Polycarbonate

### Outlook® LifeRx® Light-Responsive Progressive Addition Lenses 80mm Progressive (Gray)

| Base Curve | True Curve (1.530) | Front Radius | 50mm SAG* | Back Curve | Back Radius | CT (mm) Nominal | ET (mm) Nominal | MRP   | Location |
|------------|--------------------|--------------|-----------|------------|-------------|-----------------|-----------------|-------|----------|
| 1.50       | 1.61               | 329.193      | 0.951     | -6.25      | -84.800     | 8.5             | 15.5            | 4.0 A | 0.0 In   |
| 3.50       | 3.38               | 156.805      | 2.006     | -6.25      | -84.800     | 9.6             | 13.5            | 4.0 A | 0.0 In   |
| 5.00       | 4.95               | 107.071      | 2.959     | -6.25      | -84.800     | 9.1             | 10.5            | 4.0 A | 0.0 In   |
| 6.50       | 6.44               | 82.298       | 3.889     | -6.25      | -84.800     | 10.9            | 9.5             | 4.0 A | 0.0 In   |
| 7.50       | 7.59               | 69.829       | 4.629     | -7.50      | -70.667     | 12.0            | 10.5            | 4.0 A | 0.0 In   |

| Base Curve | Gray           | Brown          |
|------------|----------------|----------------|
| 1.50       | +0.75 to +3.50 | +0.75 to +3.50 |
| 3.50       | +0.75 to +3.50 | +0.75 to +3.50 |
| 5.00       | +0.75 to +3.50 | +0.75 to +3.50 |
| 6.50       | +0.75 to +3.50 | +0.75 to +3.50 |
| 7.50       | +0.75 to +3.50 | +0.75 to +3.50 |

\*Utilized for power calculation only, not for thickness calculation.