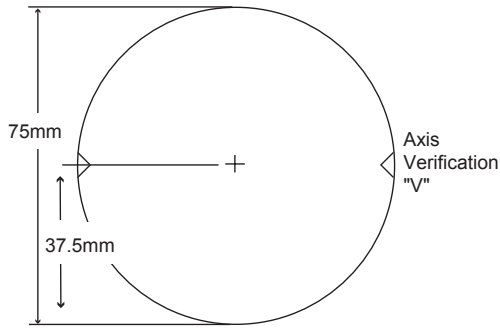
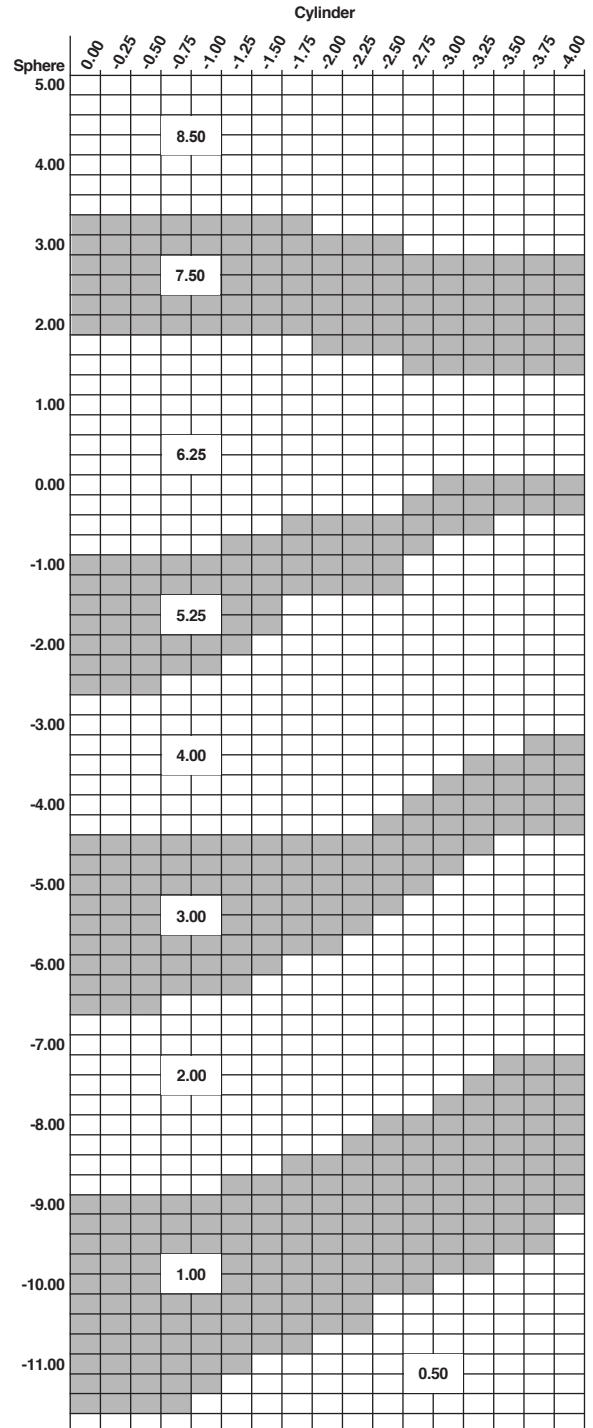


Product Reference Guide



Base Curve Selection



Polycarbonate

SunRx® Prescription Polarized Semi-Finished Single Vision

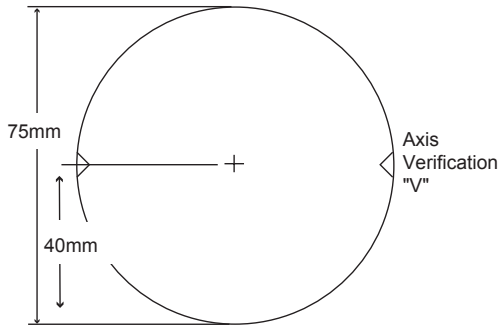
75mm Polarized Single Vision (Gray, Brown and Classic Green)

Base Curve	True Curve (1.530)	Front Radius	50mm SAG*	Back Curve	Back Radius	CT (mm) Nominal	CT (mm) Minimum	ET (mm) Nominal
0.50	0.45	1177.778	0.265	-6.25	-84.800	9.4	8.9	17.5
1.00	1.13	469.027	0.667	-6.25	-84.800	10.2	9.7	17.4
2.00	2.03	261.084	1.200	-6.25	-84.800	8.0	7.5	14.0
3.00	2.94	180.272	1.742	-6.25	-84.800	9.2	8.7	14.0
4.00	4.07	130.221	2.422	-6.25	-84.800	8.8	8.3	12.0
5.25	5.20	101.923	3.114	-6.25	-84.800	8.6	8.1	10.2
6.25	6.33	83.728	3.819	-6.25	-84.800	8.6	8.1	8.0
7.50	7.46	71.046	4.544	-6.25	-84.800	9.5	8.5	7.5
**8.50	8.60	61.628	5.299	-6.25	-84.800	11.0	10.5	7.0

*Utilized for power calculation only, not for thickness calculation.

**Not available in Classic Green.

Product Reference Guide



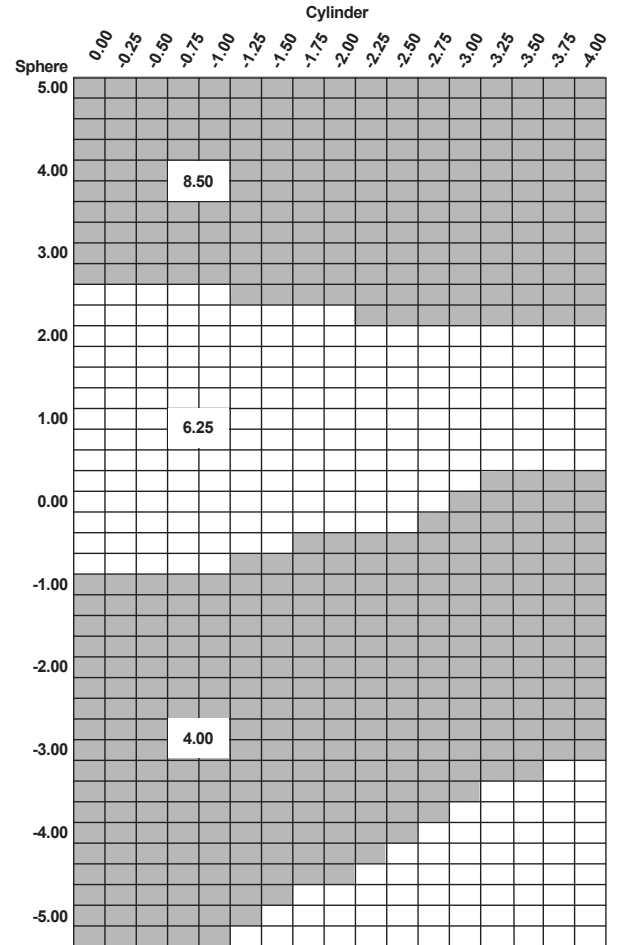
Polycarbonate

SunRx® Prescription Polarized Semi-Finished Single Vision
75mm Polarized Single Vision (Blue)

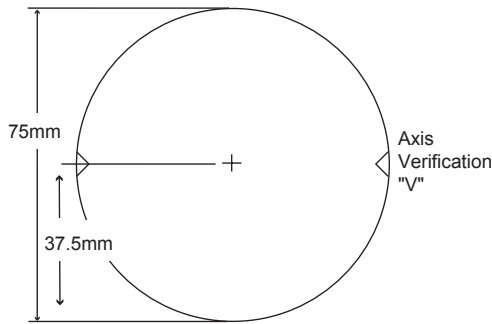
Base Curve	True Curve (1.530)	Front Radius	50mm SAG*	Back Curve	Back Radius	CT (mm) Nominal	CT (mm) Minimum	ET (mm) Nominal
4.00	4.07	130.221	2.422	-6.25	-84.800	8.8	8.3	12.0
6.25	6.33	83.728	3.819	-6.25	-84.800	8.6	8.1	8.0
8.50	8.60	61.628	5.299	-6.25	-84.800	11.0	10.5	7.0

*Utilized for power calculation only, not for thickness calculation.

Base Curve Selection



Product Reference Guide



Polycarbonate

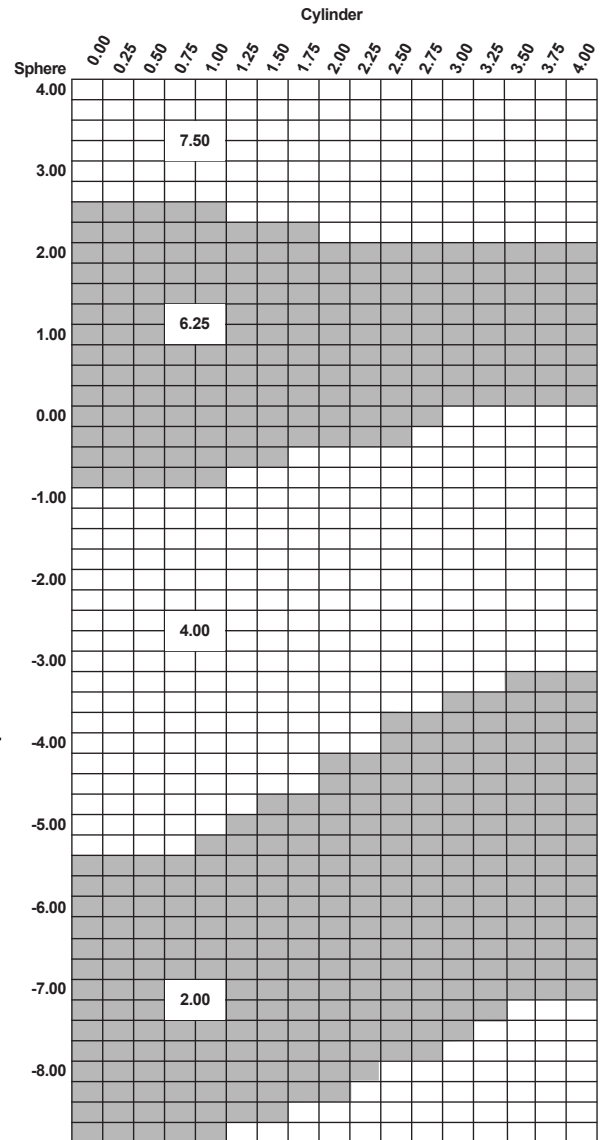
SunRx® Prescription Polarized Semi-Finished Single Vision

75mm Polarized Single Vision
(Mirror Coated: Blue, Gold, Silver on Polarized Gray Base Lens)

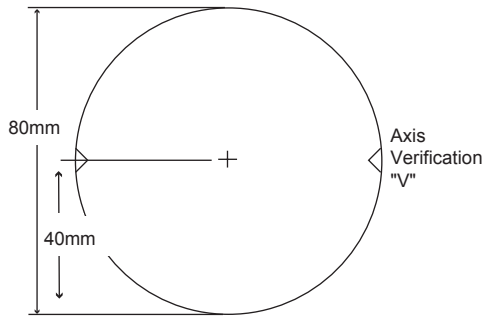
Base Curve	True Curve (1.530)	Front Radius	50mm SAG*	Back Curve	Back Radius	CT (mm) Nominal	ET (mm) Nominal
2.00	2.03	261.084	1.200	-6.25	-84.800	8.0	14.0
4.00	4.07	130.221	2.422	-6.25	-84.800	8.8	12.0
6.25	6.33	83.728	3.819	-6.25	-84.800	8.6	8.0
7.50	7.46	71.046	4.544	-6.25	-84.800	9.5	7.5

*Utilized for power calculation only, not for thickness calculation.

Base Curve Selection



Product Reference Guide



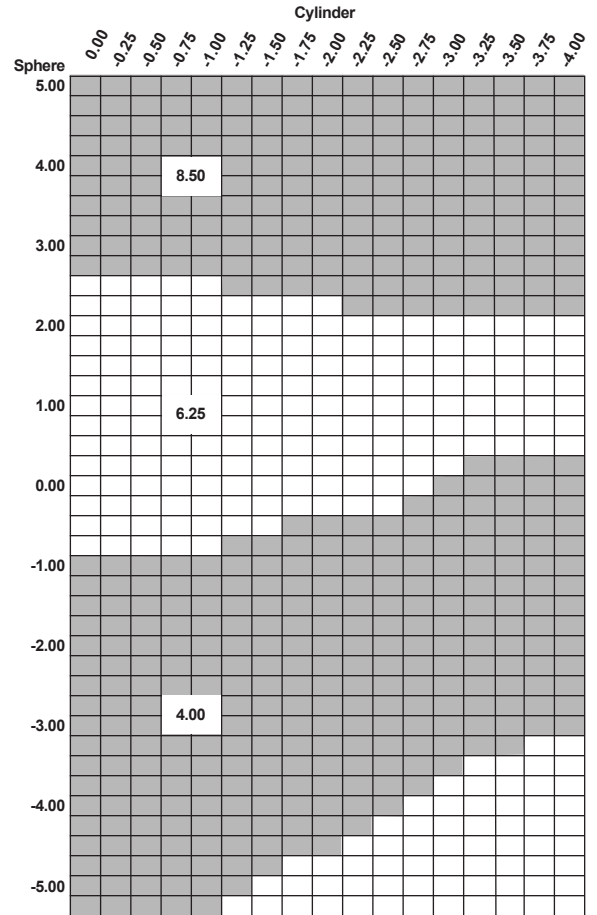
Polycarbonate

**SunRx® Prescription Polarized
Semi-Finished Single Vision**
80mm Polarized Single Vision (Gray)

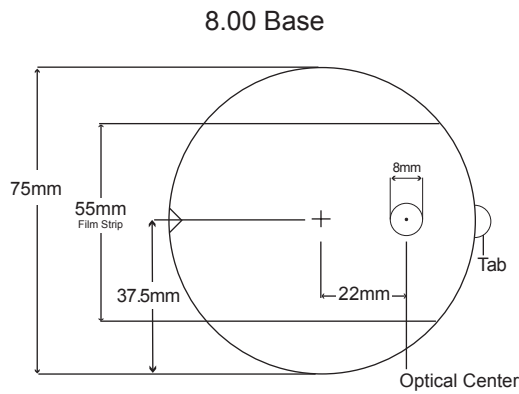
Base Curve	True Curve (1.530)	Front Radius	50mm SAG*	Back Curve	Back Radius	CT (mm) Nominal	CT (mm) Minimum	ET (mm) Nominal
4.00	4.07	130.221	2.422	-7.50	-70.67	7.5	7.0	13.7
6.25	6.33	83.728	3.819	-7.50	-70.67	8.6	8.1	10.9
8.50	8.20	64.63	5.031	-7.50	-70.67	10.7	10.2	9.3

*Utilized for power calculation only, not for thickness calculation.

Base Curve Selection



Product Reference Guide



Polycarbonate

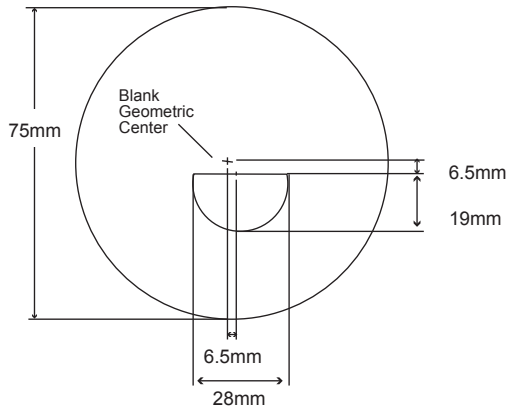
SunRx® Polarized Plano Lenses (Plano Uncuts)

75mm Finished Single Vision (Gray and Brown)

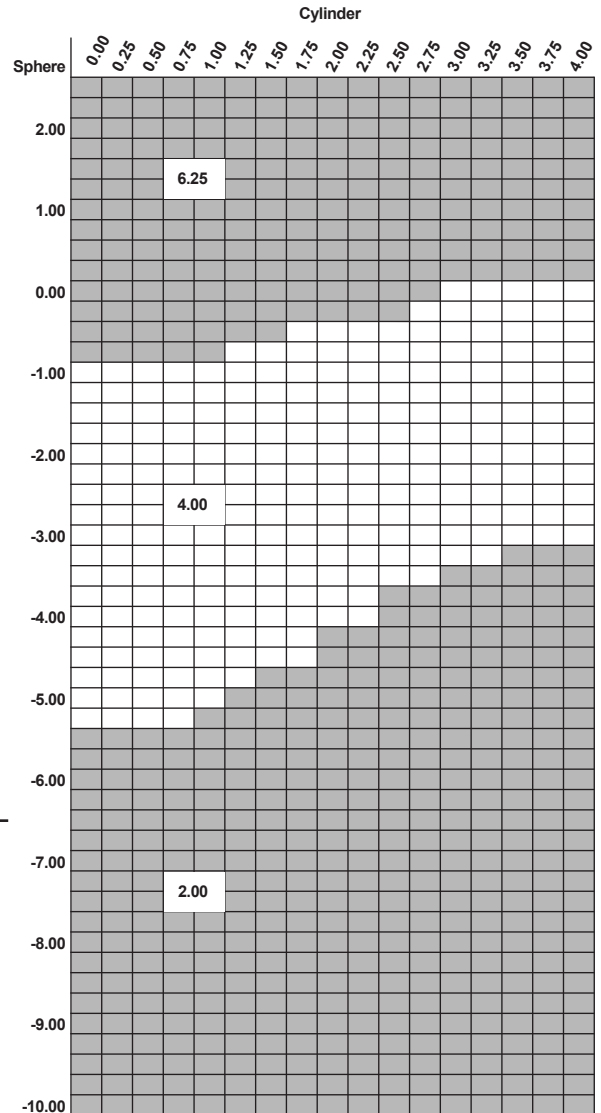
Base Curve	Front Curve	Front Radius	CT (mm) Nominal
6.00	5.60	94.64	2.0
8.00*	7.60	69.74	2.0

*De-centered. The optical center of the 8.00 base is an 8mm diameter circle from the geometric center along a line connecting the geometric center and the center of the tab.

Product Reference Guide



Base Curve Selection



Polycarbonate

SunRx® Prescription Polarized Bifocal

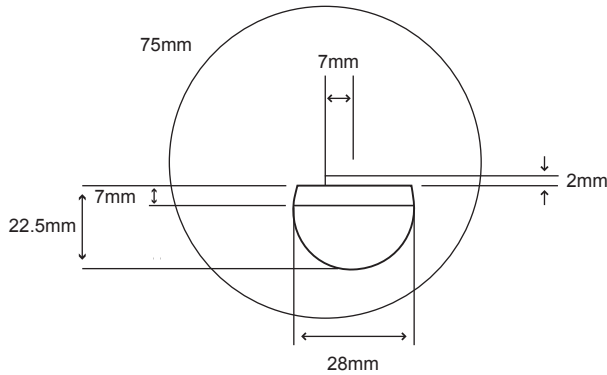
75mm Polarized D28 Bifocal (Gray, Brown and Classic Green)

Base Curve	True Curve (1.530)	Front Radius	50mm SAG*	Back Curve	Back Radius	CT (mm) Nominal	ET (mm) Nominal	Segment Drop	Location Inset
2.00	2.03	261.084	1.200	-6.25	-84.800	8.0	14.0	6.5 D	6.5 In
4.00	4.07	130.221	2.422	-6.25	-84.800	8.8	12.0	6.5 D	6.5 In
6.25	6.33	83.728	3.819	-6.25	-84.800	8.6	8.5	6.5 D	6.5 In

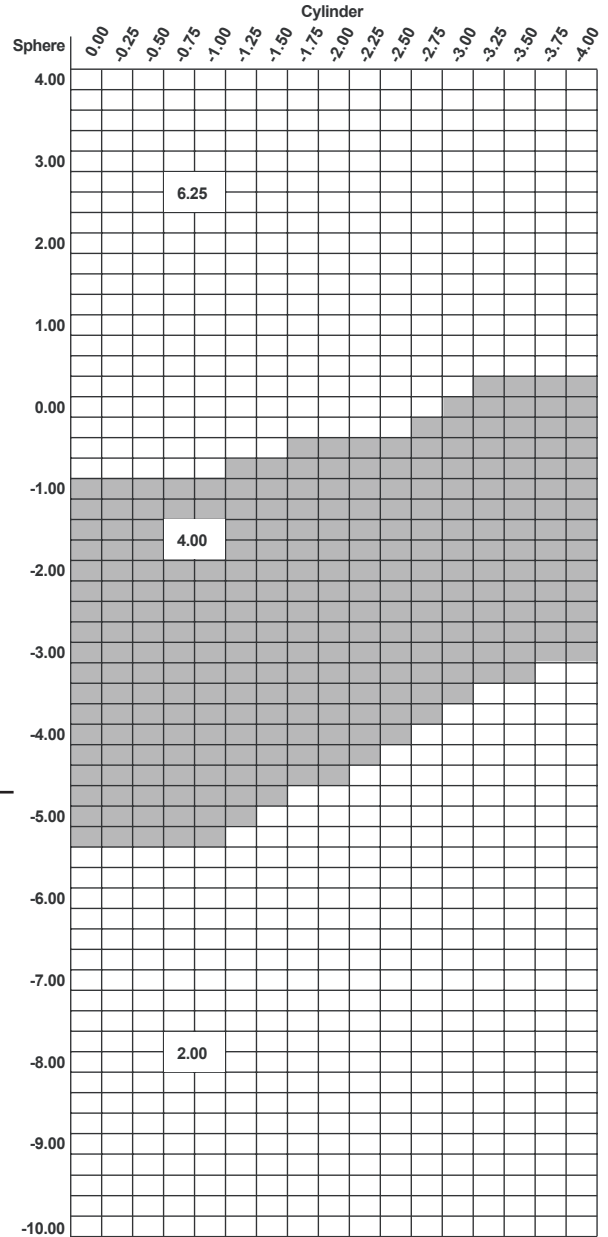
Base Curve	Gray	Brown	Classic Green
2.00	+1.00 to +3.00	+1.00 to +3.00	-
4.00	+1.00 to +3.00	+1.00 to +3.00	+1.25 to +3.00
6.25	+1.00 to +3.00	+1.00 to +3.00	+1.25 to +3.00

*Utilized for power calculation only, not for thickness calculation.

Product Reference Guide



Base Curve Selection



Polycarbonate

SunRx® Prescription Polarized Trifocal

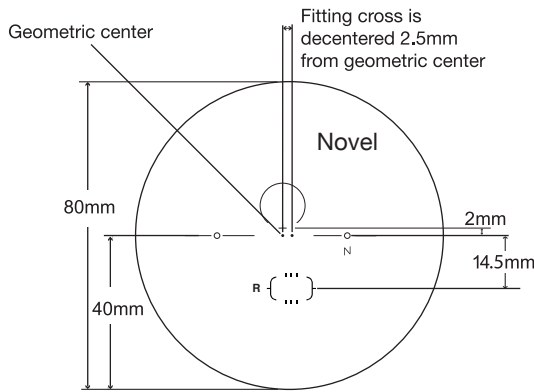
75mm Polarized 7x28 Trifocal (Gray)

Base Curve	True Curve (1.530)	Front Radius	50mm SAG*	Back Curve	Back Radius	CT (mm) Nominal	ET (mm) Nominal	Segment Drop	Location Inset
2.00	2.03	261.084	1.200	-6.25	-84.800	8.0	14.0	2.0 D	7.0 In
4.00	4.07	130.221	2.422	-6.25	-84.800	8.8	12.0	2.0 D	7.0 In
6.25	6.33	83.728	3.819	-6.25	-84.800	8.6	8.5	2.0 D	7.0 In

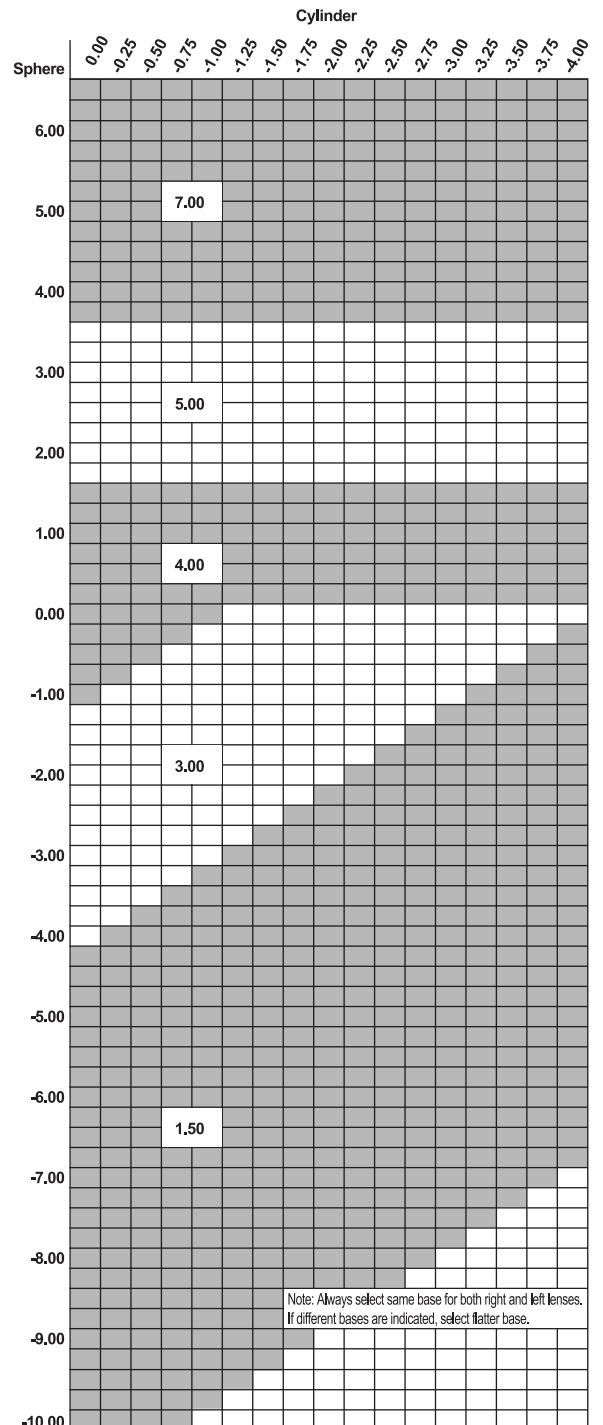
Base Curve	Gray
2.00	+1.50 to +3.00
4.00	+1.50 to +3.00
6.25	+1.50 to +3.00

*Utilized for power calculation only, not for thickness calculation.

Product Reference Guide



Base Curve Selection



Polycarbonate

Novel® SunRx® Aspheric (Decentered) Progressive Addition Lenses

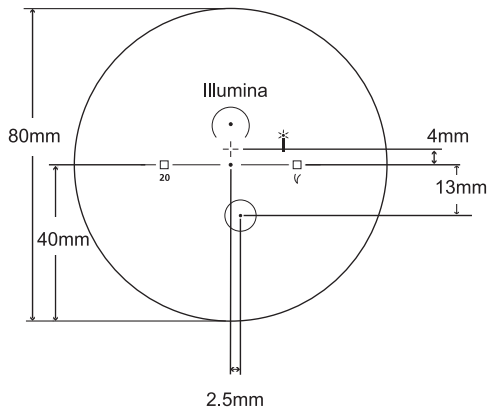
80/85mm Polarized Progressive (Gray and Brown)

Base Curve	True Curve (1.530)	Front Radius (mm)	50mm SAG*	Back Curve	Back Radius (mm)	CT (mm) Nominal	ET (mm) Nominal	MRP Location
1.50	1.31	404.58	0.773	-7.50	-70.67	7.0	16.9	2.0 A 2.5 In
3.00	2.73	194.14	1.616	-6.25	-84.8	7.5	12.9	2.0 A 2.5 In
4.00	4.15	127.71	2.471	-6.25	-84.8	8.0	11.2	2.0 A 2.5 In
5.00	5.37	98.70	3.219	-6.25	-84.8	10.1	11.3	2.0 A 2.5 In
7.00	6.90	76.81	4.182	-7.50	-70.65	10.0	11.0	2.0 A 2.5 In

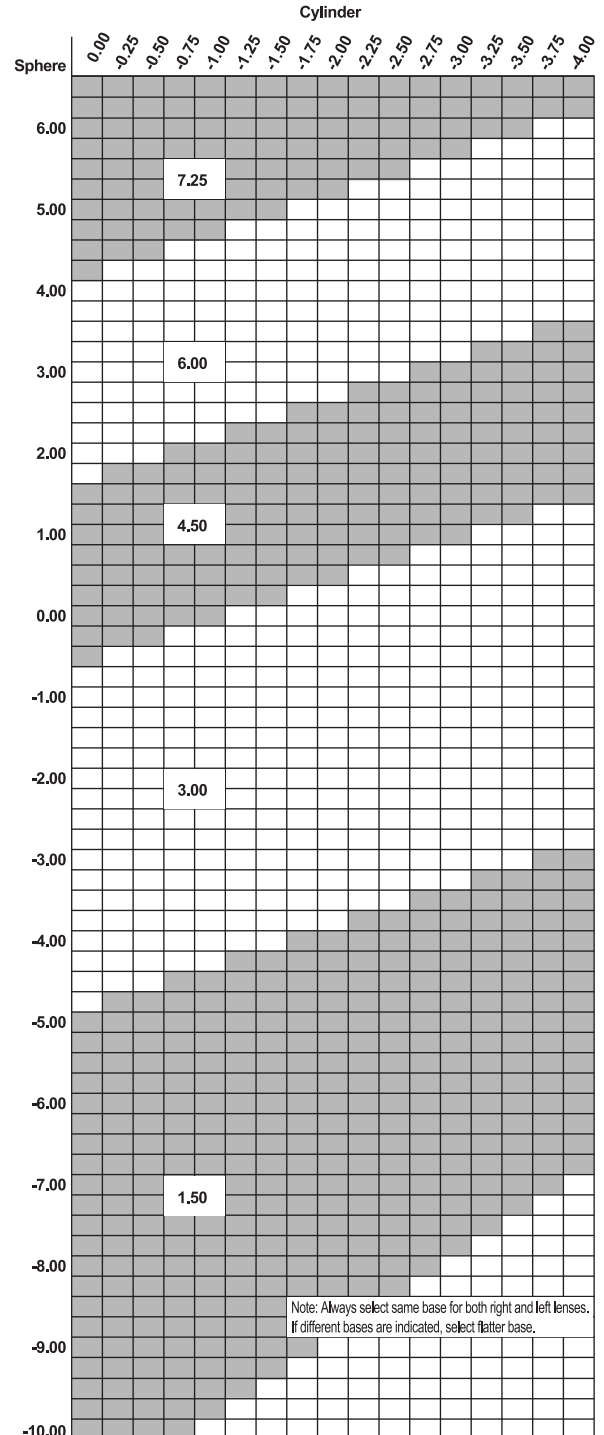
Base Curve	Gray	Brown
1.50	+1.00 to +3.00	+1.00 to +3.00
3.00	+1.00 to +3.00	+1.00 to +3.00
4.00	+1.00 to +3.00	+1.00 to +3.00
5.00	+1.00 to +3.00	+1.00 to +3.00
7.00	+1.00 to +3.00	+1.00 to +3.00

*Utilized for power calculation only, not for thickness calculation.

Product Reference Guide



Base Curve Selection



Polycarbonate

Illumina® SunRx® Polarized Aspheric Progressive Addition Lenses

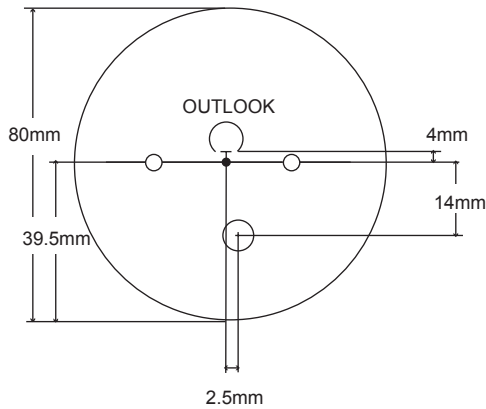
80mm Polarized Progressive (Gray)

Base Curve	True Curve (1.530)	Front Radius	50mm SAG*	Back Curve	Back Radius	CT (mm) Nominal	ET (mm) Nominal	MRP Location
1.50	1.61	329.192	0.945	-6.25	-84.800	8.7	15.5	4.0 A 0.0 In
3.00	3.03	174.917	1.800	-6.25	-84.800	8.6	13.0	4.0 A 0.0 In
4.50	4.50	117.777	2.684	-4.53	-116.997	10.7	9.5	4.0 A 0.0 In
6.00	6.00	88.333	3.612	-6.25	-84.800	9.7	9.0	4.0 A 0.0 In
7.25	7.25	73.103	4.408	-7.50	-70.667	10.8	10.5	4.0 A 0.0 In

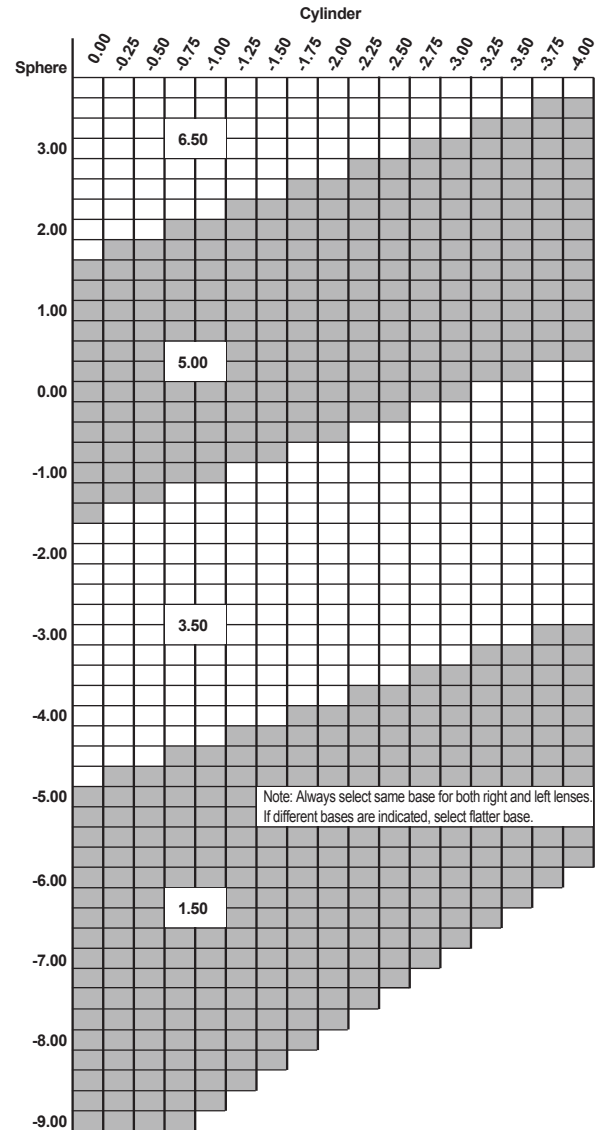
Base Curve	Gray
1.50	+0.75 to +3.50
3.00	+0.75 to +3.50
4.50	+0.75 to +3.50
6.00	+0.75 to +3.50
7.25	+0.75 to +3.50

*Utilized for power calculation only, not for thickness calculation.

Product Reference Guide



Base Curve Selection



Polycarbonate

Outlook® SunRx® Polarized Aspheric Progressive Addition Lenses

80mm Polarized Progressive (Gray and Brown)

Base Curve	True Curve (1.530)	Front Radius	50mm SAG*	Back Curve	Back Radius	CT (mm) Nominal	ET (mm) Nominal	MRP Location
1.50	1.61	329.192	0.951	-6.25	-84.800	8.5	15.5	4.0 A 0.0 In
3.50	3.42	154.871	2.030	-6.25	-84.800	9.6	13.5	4.0 A 0.0 In
5.00	4.95	107.071	2.960	-6.25	-84.800	8.1	9.5	4.0 A 0.0 In
6.50	6.44	82.298	3.889	-6.25	-84.800	10.9	9.5	4.0 A 0.0 In

Base Curve	Gray	Brown
1.50	+1.00 to +3.00	+1.00 to +3.00
3.50	+1.00 to +3.00	+1.00 to +3.00
5.00	+1.00 to +3.00	+1.00 to +3.00
6.50	+1.00 to +3.00	+1.00 to +3.00

*Utilized for power calculation only, not for thickness calculation.