

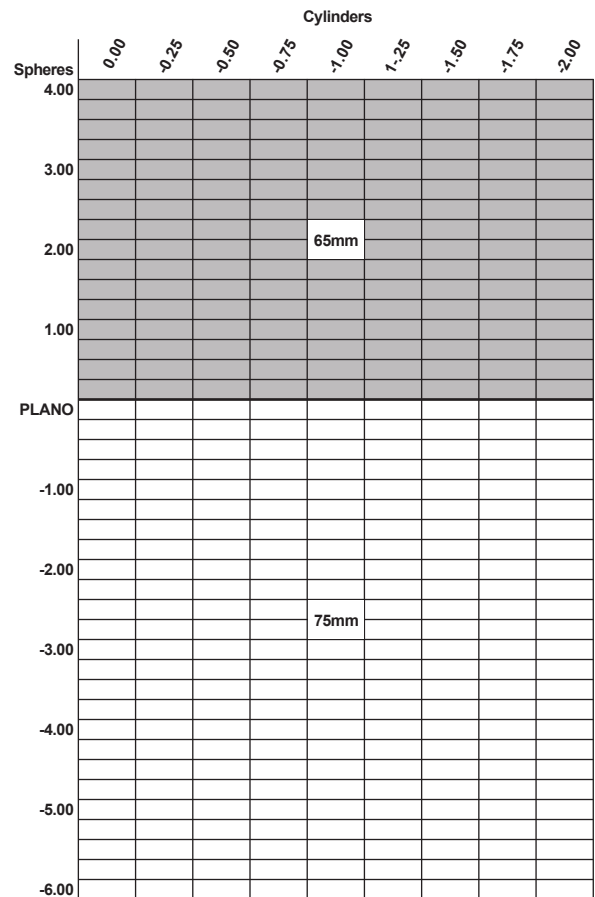
Product Reference Guide

Polycarbonate

Tegra® ActualEyes®
Aspheric Finished Single Vision
 65mm Aspheric Finished Single Vision

Sphere Power Up to -2.00 cyl	Base Curve	Curve Radius	Center Thickness
+0.25	4.28	123.832	1.6
+0.50	4.28	123.832	1.7
+0.75	4.28	123.832	1.8
+1.00	4.73	112.051	2.0
+1.25	4.73	112.051	2.2
+1.50	4.73	112.051	2.5
+1.75	5.16	102.713	2.6
+2.00	5.16	102.713	2.8
+2.25	5.16	102.713	3.1
+2.50	5.59	94.812	3.2
+2.75	5.59	94.812	3.5
+3.00	5.59	94.812	3.7
+3.25	6.01	88.186	3.8
+3.50	6.01	88.186	4.0
+3.75	6.01	88.186	4.2
+4.00	6.01	88.186	4.5

Base Curve Selection

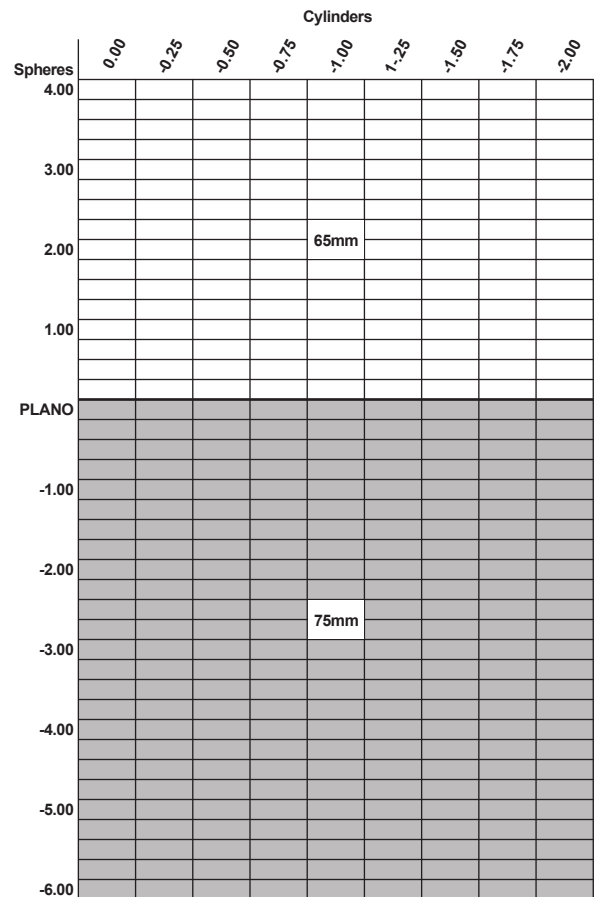


Product Reference Guide

Polycarbonate

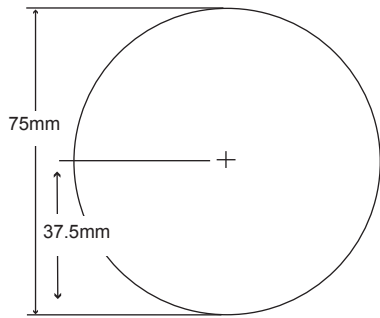
Tegra® ActualEyes®
Aspheric Finished Single Vision
 75mm Aspheric Finished Single Vision

Base Curve Selection



Sphere Power Up to -1.50 cyl	Base Curve	Curve Radius	Center Thickness
Plano	4.28	123.832	1.5
-0.25	4.28	123.832	1.5
-0.50	4.28	123.832	1.5
-0.75	4.28	123.832	1.5
-1.00	4.28	123.832	1.5
-1.25	3.83	138.381	1.5
-1.50	3.83	138.381	1.5
-1.75	3.83	138.381	1.5
-2.00	3.83	138.381	1.5
-2.25	3.38	156.805	1.5
-2.50	3.38	156.805	1.5
-2.75	3.38	156.805	1.5
-3.00	3.38	156.805	1.5
-3.25	2.93	180.887	1.4
-3.50	2.93	180.887	1.4
-3.75	2.93	180.887	1.4
-4.00	2.93	180.887	1.4
-4.25	2.48	213.710	1.4
-4.50	2.48	213.710	1.4
-4.75	2.48	213.710	1.3
-5.00	2.48	213.710	1.3
-5.25	1.81	292.818	1.3
-5.50	1.81	292.818	1.3
-5.75	1.81	292.818	1.3
-6.00	1.81	292.818	1.3

Product Reference Guide



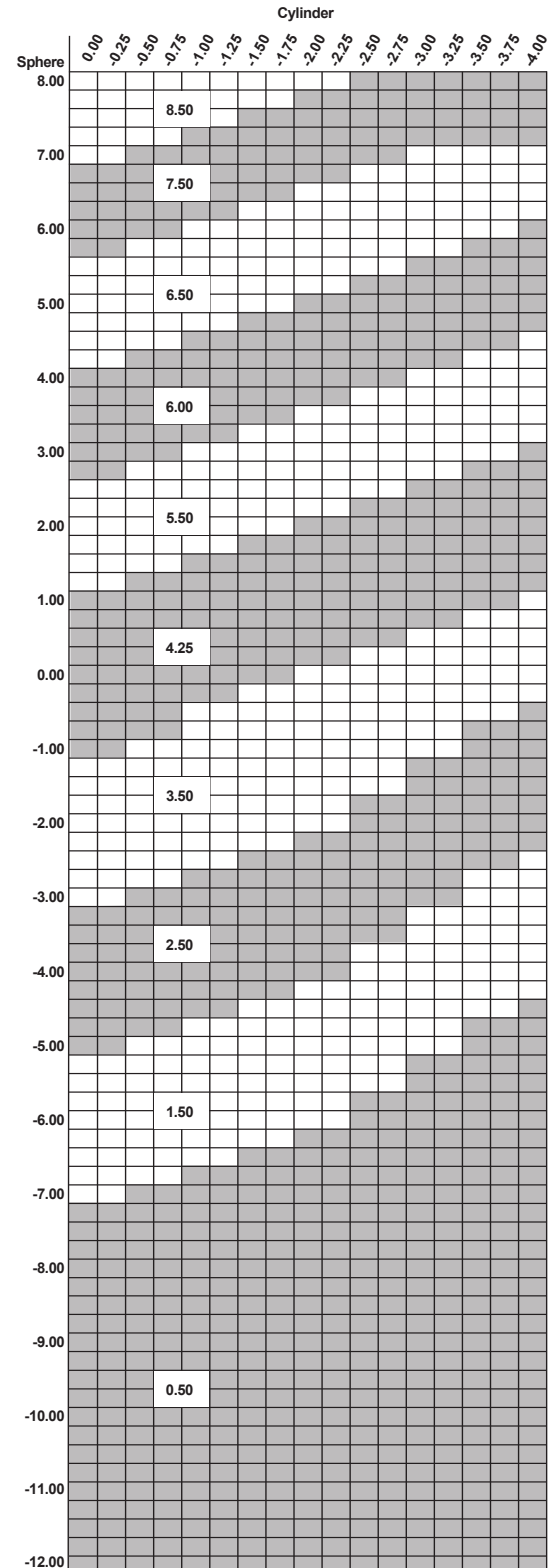
Polycarbonate

Tegra® ActualEyes®
Aspheric Semi-Finished Single Vision
 75mm Aspheric Single Vision

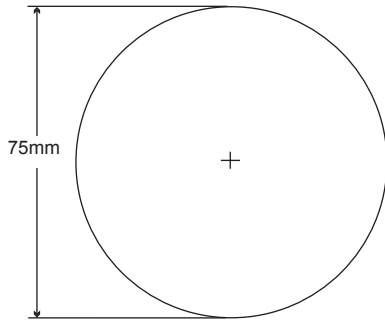
Base Curve	True Curve (1.530)	Front Radius	50mm SAG*	Back Curve	Back Radius	CT (mm) Nominal	ET (mm) Nominal	Drop	Inset
0.50	0.68	779.412	0.401	-6.25	-84.800	8.7	16.0	0.0 D	0.0 In
1.50	1.59	333.333	0.939	-6.25	-84.800	9.8	16.0	0.0 D	0.0 In
2.50	2.48	213.710	1.467	-6.25	-84.800	8.9	14.0	0.0 D	0.0 In
3.50	3.38	156.805	2.006	-6.25	-84.800	8.0	12.0	0.0 D	0.0 In
4.25	4.28	123.832	2.550	-6.25	-84.800	7.0	10.0	0.0 D	0.0 In
5.50	5.59	94.812	3.355	-6.25	-84.800	6.7	8.0	0.0 D	0.0 In
6.00	6.01	88.186	3.618	-6.25	-84.800	7.0	8.0	0.0 D	0.0 In
6.50	6.64	79.819	4.016	-6.25	-84.800	7.6	8.0	0.0 D	0.0 In
7.50	7.59	69.829	4.629	-6.25	-84.800	8.9	8.0	0.0 D	0.0 In
8.50	8.53	62.134	5.251	-6.25	-84.800	10.2	8.0	0.0 D	0.0 In

*Utilized for power calculation only, not for thickness calculation.

Base Curve Selection



Product Reference Guide



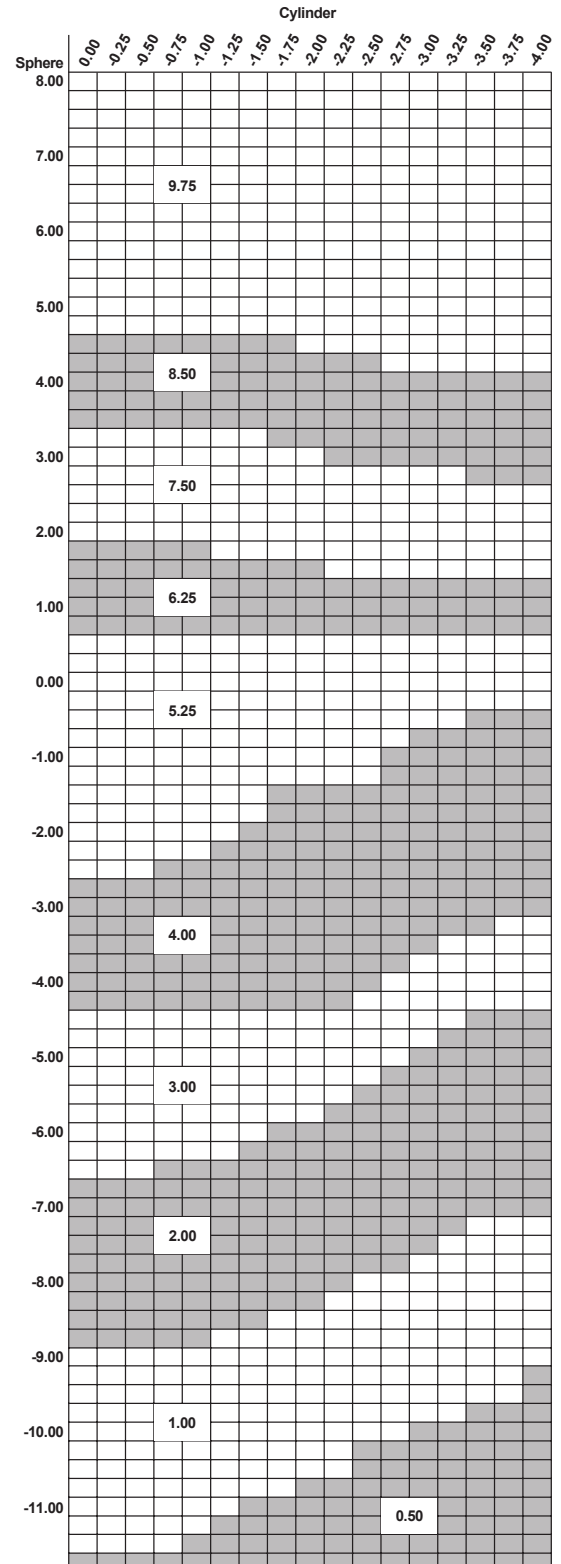
Polycarbonate

Tegra® Semi-Finished Single Vision
75mm Spherical Single Vision – Thermal Coated

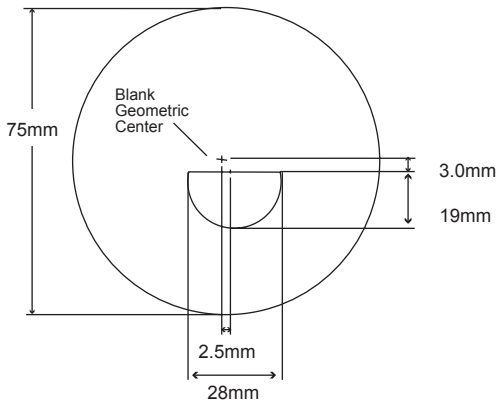
Base Curve	True Curve (1.530)	Front Radius	50mm SAG*	Back Curve	Back Radius	CT (mm) Nominal	CT (mm) Minimum	ET (mm) Nominal
0.50	0.45	1177.778	0.265	-6.25	-84.800	9.4	8.9	17.5
1.00	1.13	469.027	0.667	-6.25	-84.800	10.2	9.7	17.4
2.00	2.03	261.084	1.200	-6.25	-84.800	8.0	7.5	14.0
3.00	2.94	180.272	1.742	-6.25	-84.800	9.2	8.7	14.0
4.00	4.07	130.221	2.422	-6.25	-84.800	8.8	8.3	10.2
5.25	5.20	101.923	3.114	-6.25	-84.800	8.6	8.1	8.0
6.25	6.33	83.728	3.819	-6.25	-84.800	8.1	7.6	8.0
7.50	7.46	71.046	4.544	-6.25	-84.800	9.0	8.5	7.0
8.50	8.60	61.628	5.299	-6.25	-84.800	10.0	9.5	6.0
9.75	9.73	54.471	6.076	-7.50	-70.667	10.0	9.5	5.9

*Utilized for power calculation only, not for thickness calculation.

Base Curve Selection



Product Reference Guide



Polycarbonate

**Tegra® ActualEyes®
Aspheric D28 Bifocals**
75mm Aspheric D28 Bifocals

Base Curve	True Curve (1.530)	Front Radius	50mm SAG*	Back Curve	Back Radius	CT (mm) Nominal	ET (mm) Nominal	Drop	Inset
2.50	2.48	213.710	1.467	-6.25	-84.800	8.9	14.0	3.0 D	2.5 In
3.25	3.38	156.805	2.006	-6.25	-84.800	8.0	12.0	3.0 D	2.5 In
4.25	4.28	123.832	2.550	-6.25	-84.800	7.0	10.0	3.0 D	2.5 In
5.50	5.59	94.812	3.355	-6.25	-84.800	6.7	8.0	3.0 D	2.5 In
6.50	6.64	79.819	4.016	-6.25	-84.800	8.2	8.0	3.0 D	2.5 In

Base Curve	Clear
2.50	+1.00 to +3.00
3.25	+1.00 to +3.00
4.25	+1.00 to +3.00
5.50	+1.00 to +3.00
6.50	+1.00 to +3.00

*Utilized for power calculation only, not for thickness calculation.

Base Curve Selection

