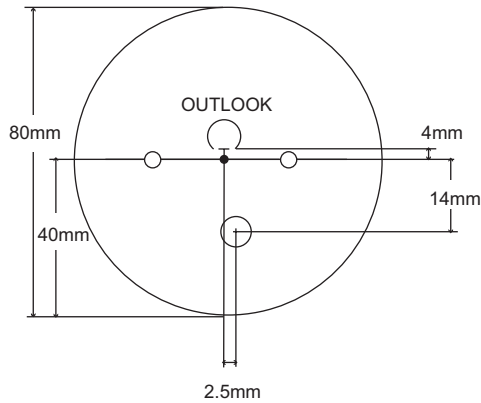


PRODUCT REFERENCE GUIDE



Polycarbonate

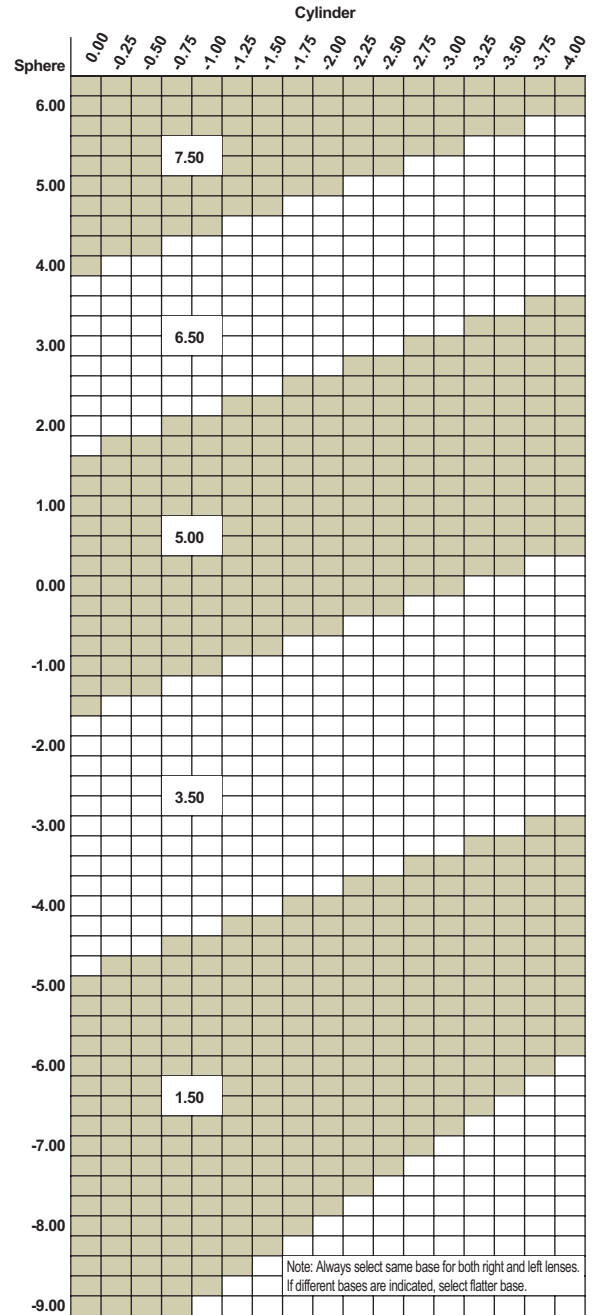
Outlook® Aspheric Progressive Addition Lenses 80mm Progressive (Clear)

Base Curve Location	True Curve (1.530)	Front Radius	50mm SAG*	Back Curve	Back Radius	CT (mm) Nominal	ET (mm) Nominal	MRP
1.50	1.59	333.333	0.939	-6.25	-84.800	8.5	15.5	4.0 A 0.0 In
3.50	3.38	156.805	2.006	-6.25	-84.800	9.6	13.5	4.0 A 0.0 In
5.00	4.94	107.287	2.953	-6.25	-84.800	8.1	9.5	4.0 A 0.0 In
6.50	6.44	82.298	3.889	-6.25	-84.800	10.9	9.5	4.0 A 0.0 In
7.50	7.59	69.829	4.629	-7.50	-70.667	11.0	9.5	4.0 A 0.0 In

Base Curve	Clear
1.50	+0.75 to +3.50
3.50	+0.75 to +3.50
5.00	+0.75 to +3.50
6.50	+0.75 to +3.50
7.50	+0.75 to +3.50

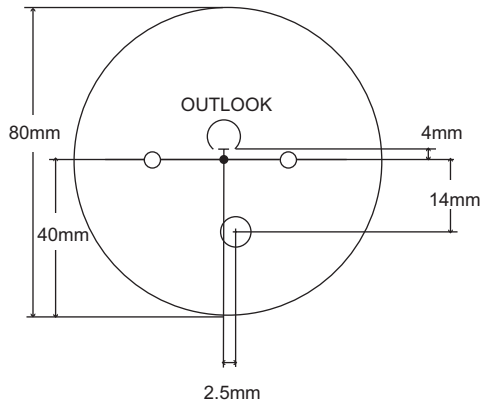
*Utilized for power calculation only, not for thickness calculation.

Base Curve Selection



[Click Here](#) for Technical Tips

PRODUCT REFERENCE GUIDE



Polycarbonate

Outlook® LifeRx® Light-Responsive Progressive Addition Lenses
80mm Progressive (Gray, Brown)

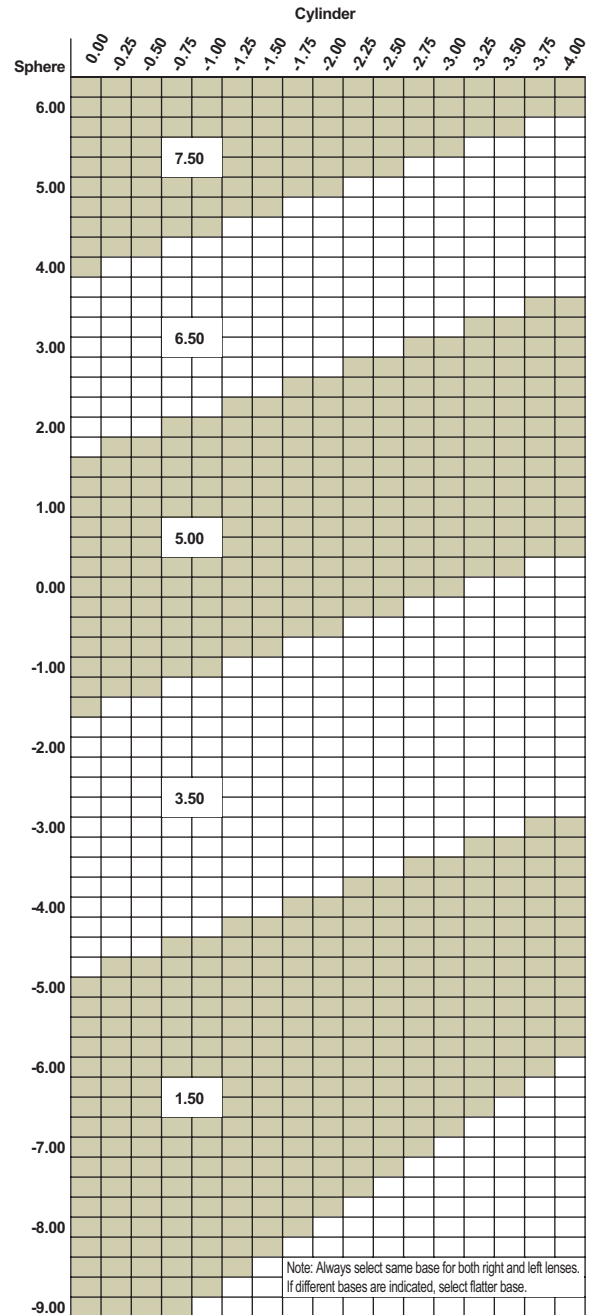
Base Curve Location	True Curve (1.530)	Front Radius	50mm SAG*	Back Curve	Back Radius	CT (mm) Nominal	ET (mm) Nominal	MRP
---------------------	--------------------	--------------	-----------	------------	-------------	-----------------	-----------------	-----

1.50	1.61	329.193	0.951	-6.25	-84.800	8.5	15.5	4.0 A 0.0 In
3.50	3.38	156.805	2.006	-6.25	-84.800	9.6	13.5	4.0 A 0.0 In
5.00	4.95	107.071	2.959	-6.25	-84.800	9.1	10.5	4.0 A 0.0 In
6.50	6.44	82.298	3.889	-6.25	-84.800	10.9	9.5	4.0 A 0.0 In
7.50	7.59	69.829	4.629	-7.50	-70.667	11.0	9.5	4.0 A 0.0 In

Base Curve	Gray	Brown
1.50	+0.75 to +3.50	+0.75 to +3.50
3.50	+0.75 to +3.50	+0.75 to +3.50
5.00	+0.75 to +3.50	+0.75 to +3.50
6.50	+0.75 to +3.50	+0.75 to +3.50
7.50	+0.75 to +3.50	+0.75 to +3.50

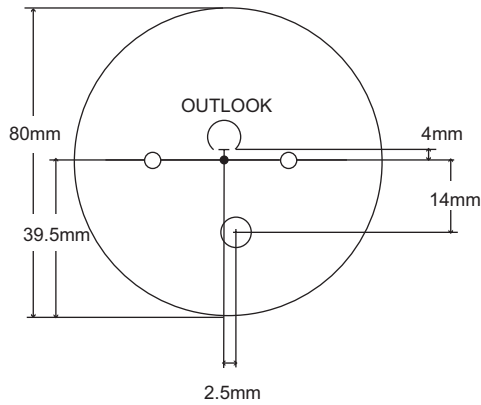
*Utilized for power calculation only, not for thickness calculation.

Base Curve Selection



[Click Here](#) for Technical Tips

PRODUCT REFERENCE GUIDE



Polycarbonate

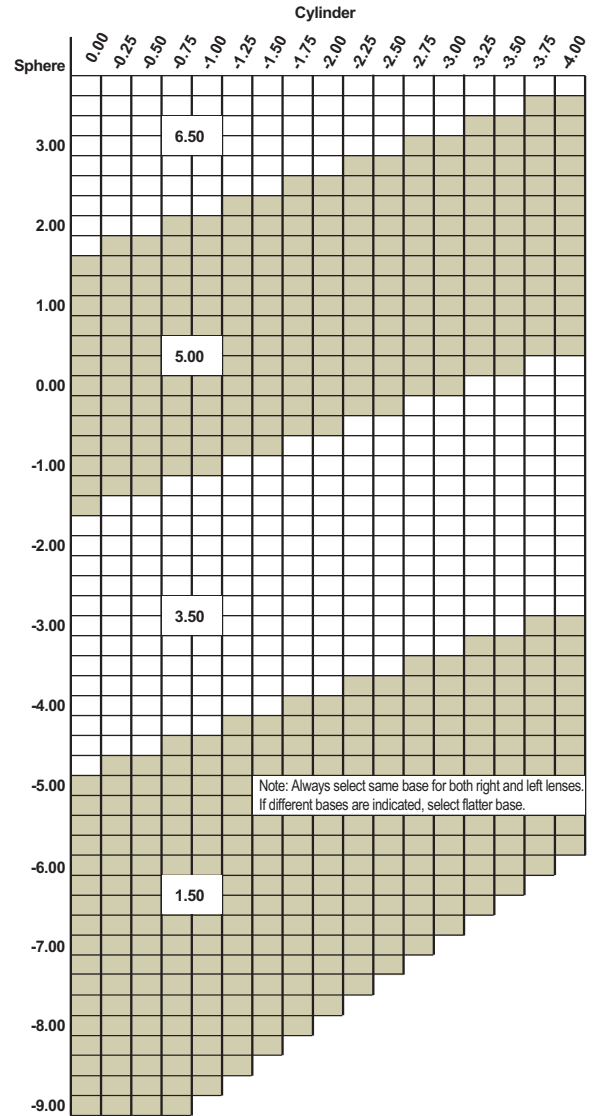
Outlook® SunRx® Polarized Aspheric Progressive Addition Lenses
80mm Polarized Progressive (Gray, Brown)

Base Curve	True Curve (1.530)	Front Radius	50mm SAG*	Back Curve	Back Radius	CT (mm) Nominal	ET (mm) Nominal	MRP Location
1.50	1.59	333.333	0.939	-6.25	-84.800	8.5	15.5	4.0 A 0.0 In
3.50	3.42	154.871	2.030	-6.25	-84.800	9.7	13.5	4.0 A 0.0 In
5.00	4.95	107.071	2.960	-6.25	-84.800	8.0	9.5	4.0 A 0.0 In
6.50	6.44	82.298	3.889	-6.25	-84.800	10.5	10.1	4.0 A 0.0 In

Base Curve	Gray	Brown
1.50	+1.00 to +3.00	+1.00 to +3.00
3.50	+1.00 to +3.00	+1.00 to +3.00
5.00	+1.00 to +3.00	+1.00 to +3.00
6.50	+1.00 to +3.00	+1.00 to +3.00

*Utilized for power calculation only, not for thickness calculation.

Base Curve Selection



[Click Here](#)

for Technical Tips