

PRODUCT REFERENCE GUIDE

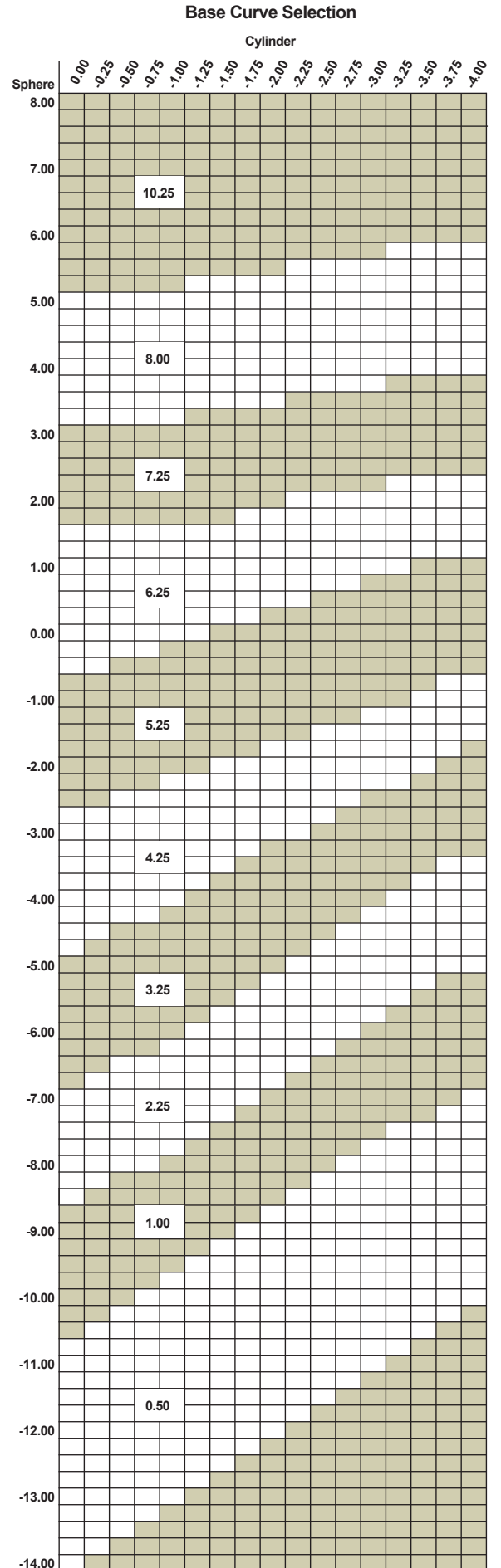
Plastic

ChangeRx Semi-Finished Single Vision
 75mm Semi-Finished (Gray, Brown)
 Coated/Uncoated

| Base True Curve | Front | 50mm | Back | CT (mm) | ET (mm) | |
|-----------------|--------|---------|-------|---------|---------|-------|
| Curve (1.530) | Radius | SAG* | Curve | Nominal | Nominal | |
| 0.50 | 0.40 | 1325.00 | 0.24 | 6.00 | 6.50 | 16.20 |
| 1.00 | 1.01 | 524.75 | 0.60 | 6.00 | 6.10 | 13.20 |
| 2.25 | 2.32 | 228.45 | 1.37 | 6.00 | 6.40 | 11.80 |
| 3.25 | 3.22 | 164.60 | 1.91 | 6.00 | 6.40 | 10.60 |
| 4.25 | 4.14 | 128.02 | 2.46 | 6.00 | 7.80 | 10.60 |
| 5.25 | 5.27 | 100.57 | 3.16 | 6.00 | 7.60 | 9.50 |
| 6.25 | 6.35 | 83.46 | 3.83 | 6.00 | 7.80 | 8.50 |
| 7.25 | 7.28 | 72.80 | 4.43 | 6.00 | 10.00 | 8.00 |
| 8.00 | 7.97 | 66.50 | 4.88 | 6.00 | 11.20 | 8.00 |
| 10.25** | 10.05 | 52.74 | 6.30 | 6.00 | 11.60 | 7.00 |

*Utilized for power calculation only, not for thickness calculation.

**70mm SFSV



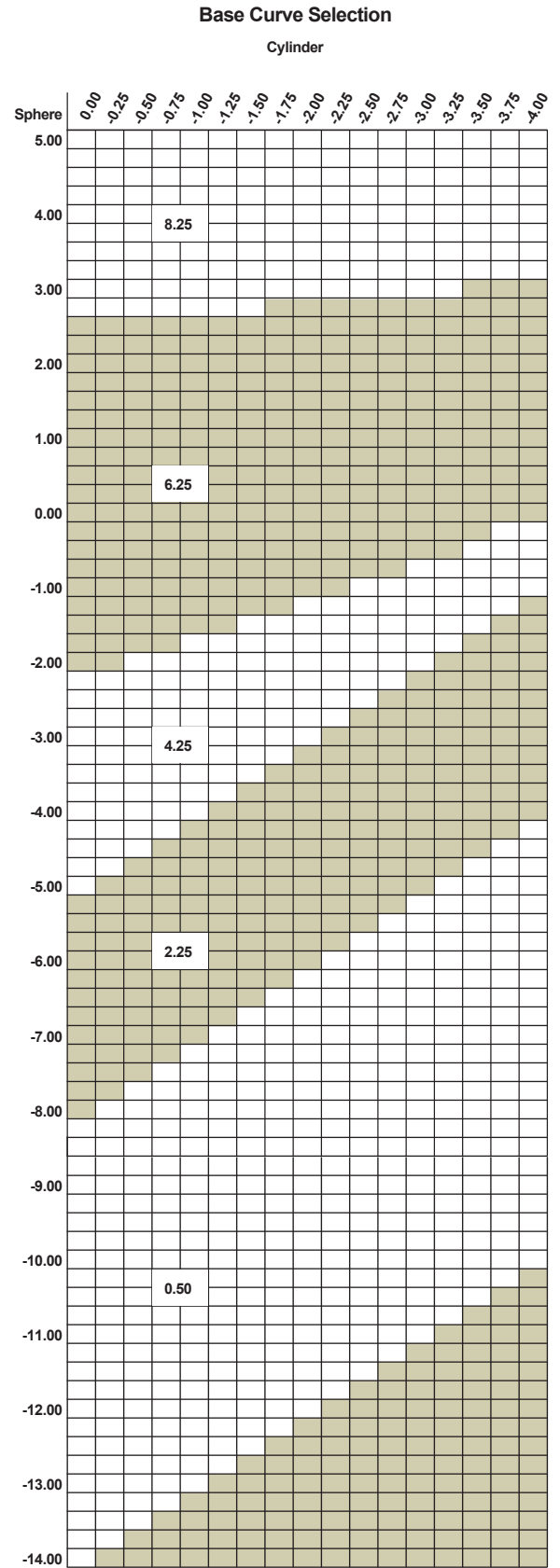
PRODUCT REFERENCE GUIDE

Plastic

ChangeRx Semi-Finished Single Vision
 70mm Semi-Finished (Gray, Brown)
 Coated

| Base True Curve | Front | 50mm | Back | CT (mm) | ET (mm) | |
|-----------------|--------|---------|-------|---------|---------|------|
| Curve (1.530) | Radius | SAG* | Curve | Nominal | Nominal | |
| 0.50 | 0.25 | 2120.00 | 0.15 | -7.25 | 6.0 | 15.1 |
| 2.25 | 2.32 | 228.45 | 1.37 | -7.25 | 5.9 | 12.6 |
| 4.25 | 4.14 | 128.02 | 2.47 | -5.75 | 7.3 | 9.6 |
| 6.25 | 6.35 | 83.46 | 3.83 | -7.00 | 7.3 | 9.0 |
| 8.25 | 8.67 | 61.13 | 5.35 | -4.75 | 10.7 | 5.7 |

*Utilized for power calculation only, not for thickness calculation.

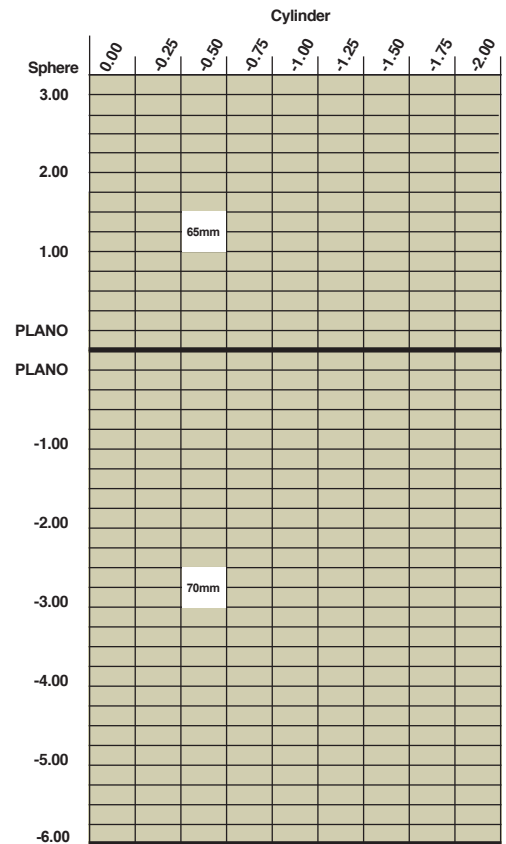


PRODUCT REFERENCE GUIDE

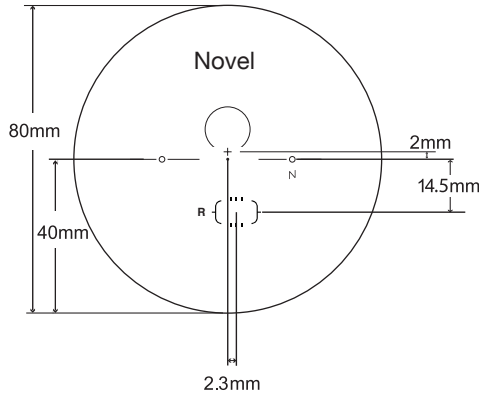
Plastic

ChangeRx and ChangeRx AR 65/70mm Finished Single Vision (Gray, Brown) Coated

| Sphere Power Up to -2.00 cyl | Base Curve | Curve Radius | Center Thickness |
|---------------------------------|---------------|-----------------|---------------------|
| +3.00 | 6.17 | 85.900 | 5.2 |
| +2.75 | 6.17 | 85.900 | 5.0 |
| +2.50 | 6.17 | 85.900 | 4.7 |
| +2.25 | 6.17 | 85.900 | 4.4 |
| +2.00 | 5.17 | 102.515 | 4.1 |
| +1.75 | 5.17 | 102.515 | 3.9 |
| +1.50 | 5.17 | 102.515 | 3.6 |
| +1.25 | 5.17 | 102.515 | 3.3 |
| +1.00 | 5.17 | 102.515 | 3.1 |
| +0.75 | 5.17 | 102.515 | 2.8 |
| +0.50 | 5.17 | 102.515 | 2.5 |
| +0.25 | 5.17 | 102.515 | 2.2 |
| Plano | 5.17 | 102.515 | 2.2 |
| Plano | 5.17 | 102.515 | 2.0 |
| -0.25 | 4.13 | 128.329 | 2.0 |
| -0.50 | 4.13 | 128.329 | 2.0 |
| -0.75 | 4.13 | 128.329 | 2.0 |
| -1.00 | 4.13 | 128.329 | 2.0 |
| -1.25 | 4.13 | 128.329 | 2.0 |
| -1.50 | 4.13 | 128.329 | 2.0 |
| -1.75 | 4.13 | 128.329 | 2.0 |
| -2.00 | 4.13 | 128.329 | 2.0 |
| -2.25 | 3.08 | 172.078 | 2.0 |
| -2.50 | 3.08 | 172.078 | 2.0 |
| -2.75 | 3.08 | 172.078 | 2.0 |
| -3.00 | 3.08 | 172.078 | 2.0 |
| -3.25 | 3.08 | 172.078 | 2.0 |
| -3.50 | 3.08 | 172.078 | 2.0 |
| -3.75 | 3.08 | 172.078 | 2.0 |
| -4.00 | 3.08 | 172.078 | 2.0 |
| -4.25 | 2.30 | 230.435 | 2.0 |
| -4.50 | 2.30 | 230.435 | 2.0 |
| -4.75 | 2.30 | 230.435 | 2.0 |
| -5.00 | 2.30 | 230.435 | 2.0 |
| -5.25 | 0.99 | 535.354 | 2.0 |
| -5.50 | 0.99 | 535.354 | 2.0 |
| -5.75 | 0.99 | 535.354 | 2.0 |
| -6.00 | 0.99 | 535.354 | 2.0 |



PRODUCT REFERENCE GUIDE



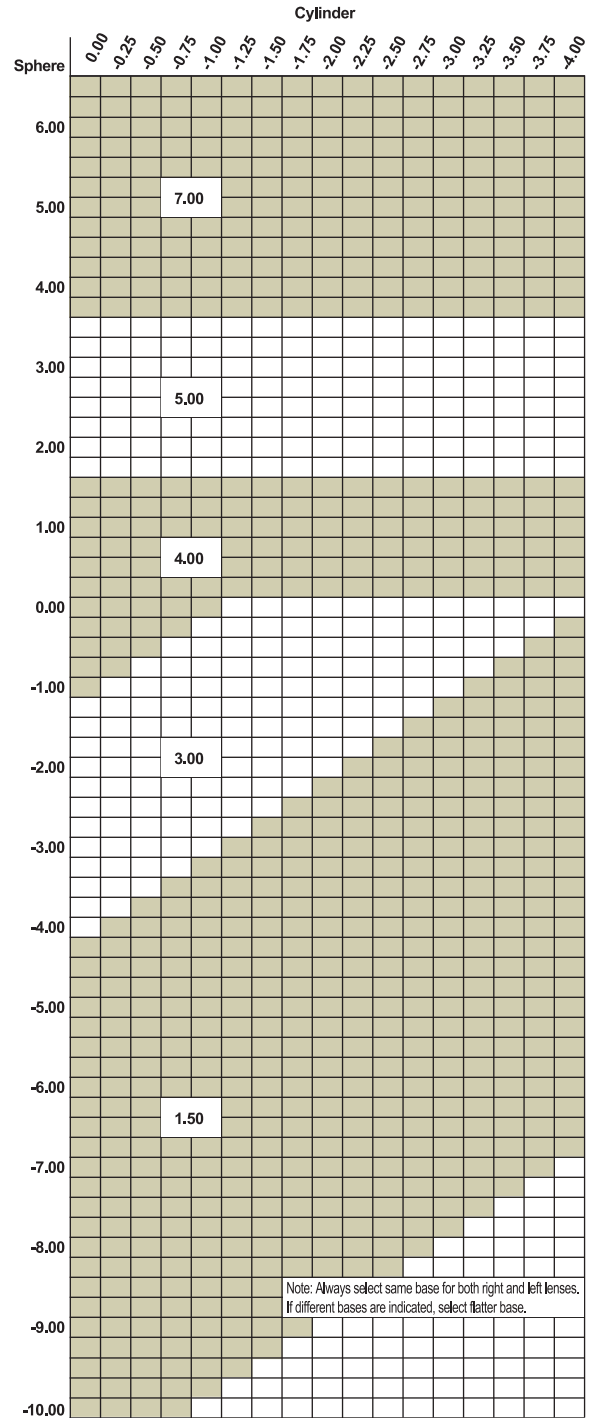
Plastic

Novel™ ChangeRx Progressive Addition Lenses 80mm Progressive (Gray, Brown)

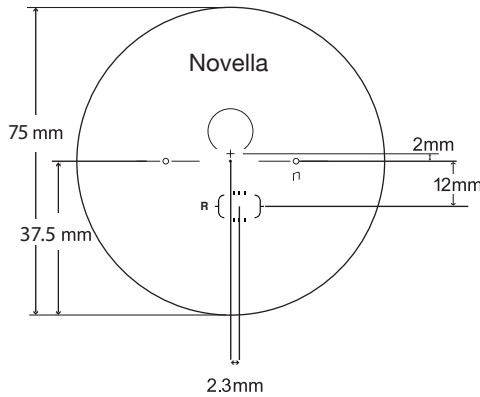
| Base Curve | True Curve (1.530) | Front Radius (mm) | 50mm SAG* | Back Curve | Back Radius (mm) | CT (mm) Nominal | ET (mm) Nominal | MRP Location |
|------------|--------------------|-------------------|-----------|------------|------------------|-----------------|-----------------|--------------|
| 1.50 | 1.45 | 365.52 | 0.86 | -6.35 | -83.46 | 11.8 | 18.5 | 2.0 A 0.0 In |
| 3.00 | 2.88 | 184.03 | 1.71 | -7.00 | -75.71 | 9.7 | 15.6 | 2.0 A 0.0 In |
| 4.00 | 4.20 | 126.19 | 2.50 | -7.00 | -75.71 | 8.0 | 12.1 | 2.0 A 0.0 In |
| 5.00 | 5.64 | 93.97 | 3.39 | -7.00 | -75.71 | 9.0 | 11.0 | 2.0 A 0.0 In |
| 7.00 | 7.14 | 74.23 | 4.34 | -5.90 | -89.83 | 13.0 | 11.3 | 2.0 A 0.0 In |

| Base Curve | Adds |
|------------|----------------|
| 1.50 | +1.00 to +3.00 |
| 3.00 | +1.00 to +3.00 |
| 4.00 | +1.00 to +3.00 |
| 5.00 | +1.00 to +3.00 |
| 7.00 | +1.00 to +3.00 |

Base Curve Selection



PRODUCT REFERENCE GUIDE



Plastic

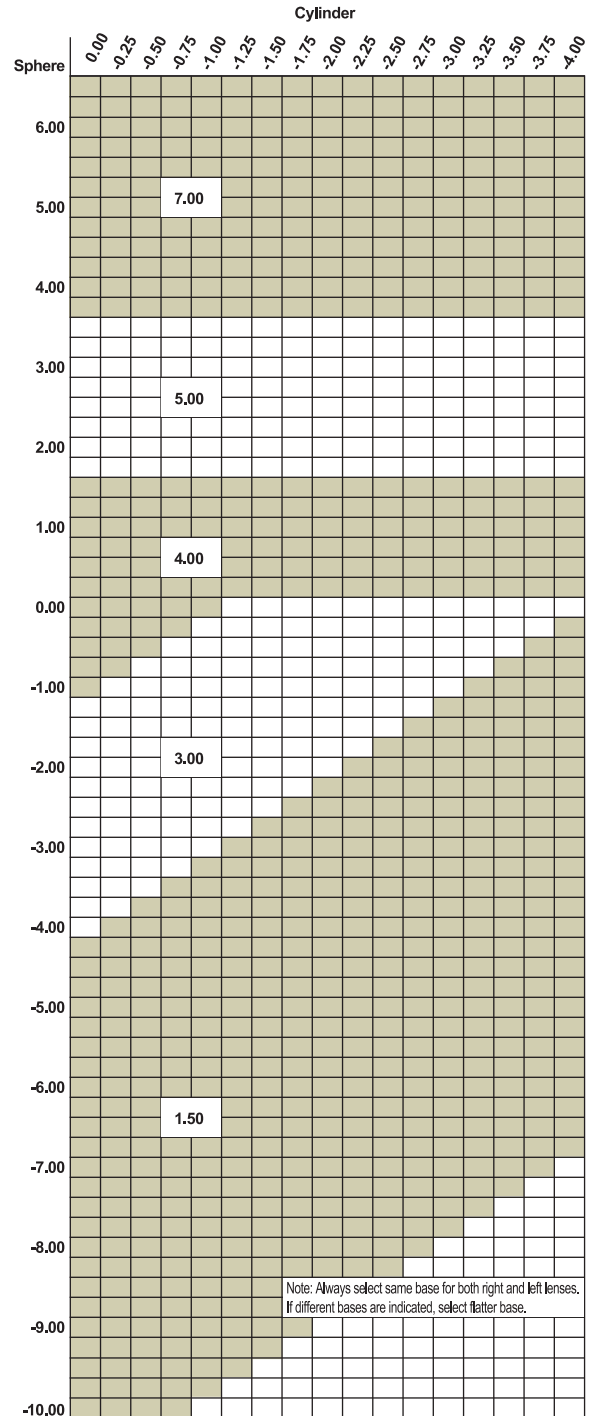
Novella™ ChangeRx Progressive Addition Lenses 75mm Progressive (Gray, Brown)

| Base Curve | True Curve (1.530) | Front Radius | 50mm SAG* | Back Curve | Back Radius | CT (mm) Nominal | ET (mm) Nominal | MRP | Location |
|------------|--------------------|--------------|-----------|------------|-------------|-----------------|-----------------|-------|----------|
| 1.50 | 1.44 | 368.05 | 0.85 | -6.25 | -84.80 | 11.8 | 17.8 | 2.0 A | 0.0 In |
| 3.00 | 2.87 | 184.67 | 1.70 | -6.50 | -81.54 | 10.7 | 15.1 | 2.0 A | 0.0 In |
| 4.00 | 4.19 | 126.49 | 2.50 | -6.50 | -81.54 | 9.0 | 11.8 | 2.0 A | 0.0 In |
| 5.00 | 5.63 | 94.14 | 3.38 | -6.50 | -81.54 | 11.1 | 12.1 | 2.0 A | 0.0 In |
| 7.00 | 7.15 | 74.13 | 4.34 | -5.90 | -89.83 | 13.7 | 12.0 | 2.0 A | 0.0 In |

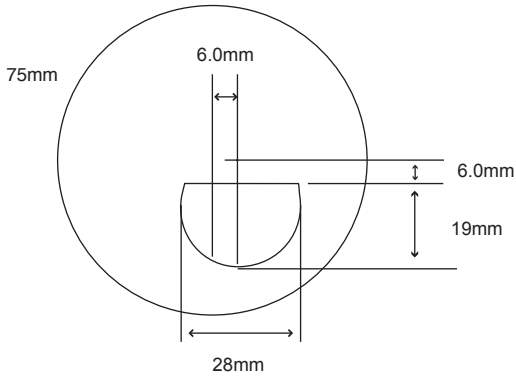
| Base Curve | Adds |
|------------|----------------|
| 1.50 | +1.00 to +3.00 |
| 3.00 | +1.00 to +3.00 |
| 4.00 | +1.00 to +3.00 |
| 5.00 | +1.00 to +3.00 |
| 7.00 | +1.00 to +3.00 |

*Utilized for power calculation only, not for thickness calculation.

Base Curve Selection



PRODUCT REFERENCE GUIDE



Plastic

ChangeRx D28
75mm (Gray, Brown)

| Base Curve | True Curve (1.530) | Front Radius (mm) | 50mm SAG* | Back Curve | Back Radius (mm) | CT (mm) Nominal | ET (mm) Nominal | Drop (mm) | Inset (mm) |
|------------|--------------------|-------------------|-----------|------------|------------------|-----------------|-----------------|-----------|------------|
| .50 | .40 | 1325.00 | 0.24 | -5.25 | -100.95 | 7.6 | 14.3 | 6 | 6 |
| 2.25 | 2.32 | 228.45 | 1.37 | -5.25 | -100.95 | 7.0 | 11.1 | 6 | 6 |
| 4.25 | 4.14 | 128.02 | 2.46 | -5.25 | -100.95 | 7.6 | 9.2 | 6 | 6 |
| 6.25 | 6.35 | 83.46 | 3.83 | -6.40 | -82.81 | 7.9 | 8.0 | 6 | 6 |
| 8.00 | 7.97 | 66.50 | 4.88 | -7.00 | -75.71 | 8.5 | 6.9 | 6 | 6 |

| Base Curve | Adds |
|------------|----------------|
| .50 | +1.00 to +3.00 |
| 2.25 | +1.00 to +3.00 |
| 4.25 | +1.00 to +3.00 |
| 6.25 | +1.00 to +3.00 |
| 8.00 | +1.00 to +3.00 |

Base Curve Selection

