

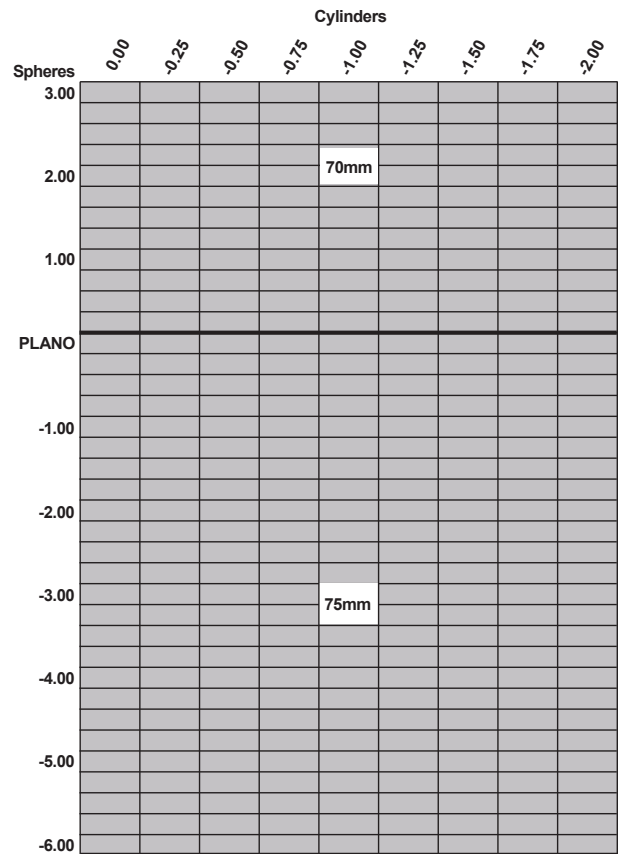
Product Reference Guide

Polycarbonate

Continua® Finished Single Vision
High Impact Safety 2.0mm
 70mm/75mm Finished Single Vision

Base Curve Selection

Sphere Power Up to -2.00 cyl	Base Curve	Curve Radius	Center Thickness
+3.00	6.44	82.298	5.35
+2.75	6.24	84.936	5.09
+2.50	6.01	88.186	4.78
+2.25	5.80	91.379	4.51
+2.00	5.59	94.812	4.24
+1.75	6.26	84.665	3.97
+1.50	6.04	87.748	3.68
+1.25	5.82	91.065	3.39
+1.00	5.60	94.643	3.10
+0.75	5.38	98.513	2.81
+0.50	5.16	102.713	2.52
+0.25	4.93	107.505	2.23
Plano	5.82	91.065	2.1
-0.25	5.60	94.643	2.1
-0.50	5.38	98.513	2.1
-0.75	5.16	102.713	2.1
-1.00	4.93	107.505	2.1
-1.25	4.71	112.527	2.1
-1.50	4.49	118.040	2.1
-1.75	4.71	112.527	2.1
-2.00	4.49	118.040	2.1
-2.25	4.27	124.122	2.1
-2.50	4.04	131.188	2.1
-2.75	3.82	138.743	2.1
-3.00	3.60	147.222	2.1
-3.25	3.82	138.743	2.1
-3.50	3.60	147.222	2.1
-3.75	3.37	157.270	2.1
-4.00	3.15	168.254	2.1
-4.25	2.90	182.759	2.1
-4.50	2.67	198.502	2.1
-4.75	2.90	182.759	2.1
-5.00	2.67	198.502	2.1
-5.25	2.45	216.327	2.1
-5.50	2.22	238.739	2.1
-5.75	2.00	265.000	2.1
-6.00	1.77	299.435	2.1



Product Reference Guide

Polycarbonate

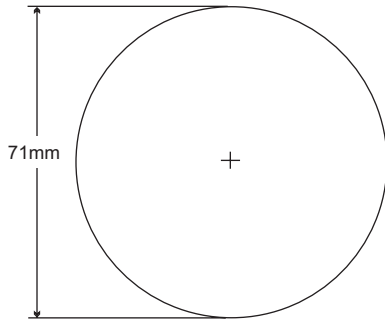
**VISION EASE Finished Single Vision 2.0 mm
Super-Hydrophobic Vivid® AR**
75mm Finished Single Vision

Base Curve Selection

	Cylinders									
	0.00	-0.25	-0.50	-0.75	-1.00	-1.25	-1.50	-1.75	-2.00	
PLANO										
-1.00										
-2.00					75mm					
-3.00										
-3.50										

Sphere Power Up to -2.00 cyl	Base Curve	Curve Radius	Center Thickness
Plano	5.82	91.07	2.1
-0.25	5.60	94.64	2.1
-0.50	5.38	98.51	2.1
-0.75	5.16	102.71	2.1
-1.00	4.93	107.51	2.1
-1.25	4.71	112.53	2.1
-1.50	4.49	118.04	2.1
-1.75	4.71	112.53	2.1
-2.00	4.49	118.04	2.1
-2.25	4.27	124.12	2.1
-2.50	4.04	131.19	2.1
-2.75	3.82	138.74	2.1
-3.00	3.60	147.22	2.1
-3.25	3.82	138.74	2.1
-3.50	3.60	147.22	2.1

Product Reference Guide



Polycarbonate

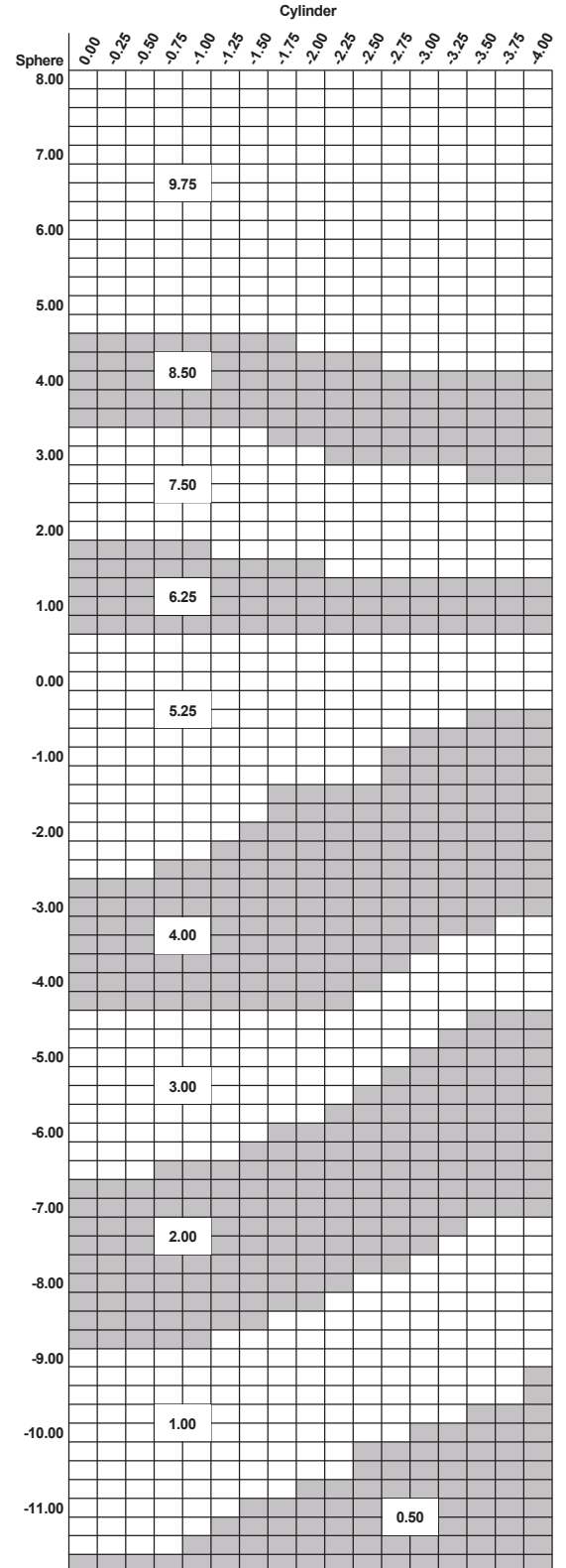
Continua[®] Semi-Finished Single Vision

71mm Spherical Single Vision - Thermal Coated

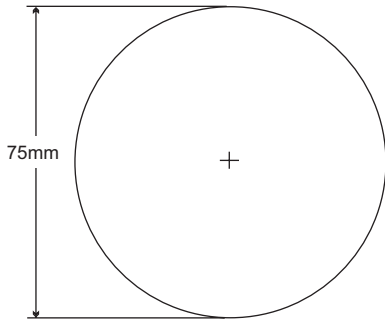
Base Curve	True Curve (1.530)	Front Radius	50mm SAG*	Back Curve	Back Radius	CT (mm) Nominal	ET (mm) Nominal
0.50	0.45	1177.778	0.265	-6.25	-84.800	9.8	17.0
1.00	1.13	469.027	0.667	-6.25	-84.800	9.0	15.5
2.00	2.03	261.084	1.200	-6.25	-84.800	9.6	15.0
3.00	2.94	180.272	1.742	-6.25	-84.800	9.2	13.2
4.00	4.07	130.221	2.422	-6.25	-84.800	9.1	12.0
5.25	5.20	101.923	3.114	-6.25	-84.800	8.6	10.0
6.25	6.33	83.728	3.819	-6.25	-84.800	8.1	8.0
7.50	7.46	71.046	4.544	-6.25	-84.800	9.0	7.3
8.50	8.60	61.628	5.299	-6.25	-84.800	9.5	6.0
9.75	9.73	54.471	6.076	-7.50	-70.667	9.5	6.0

*Utilized for power calculation only, not for thickness calculation.

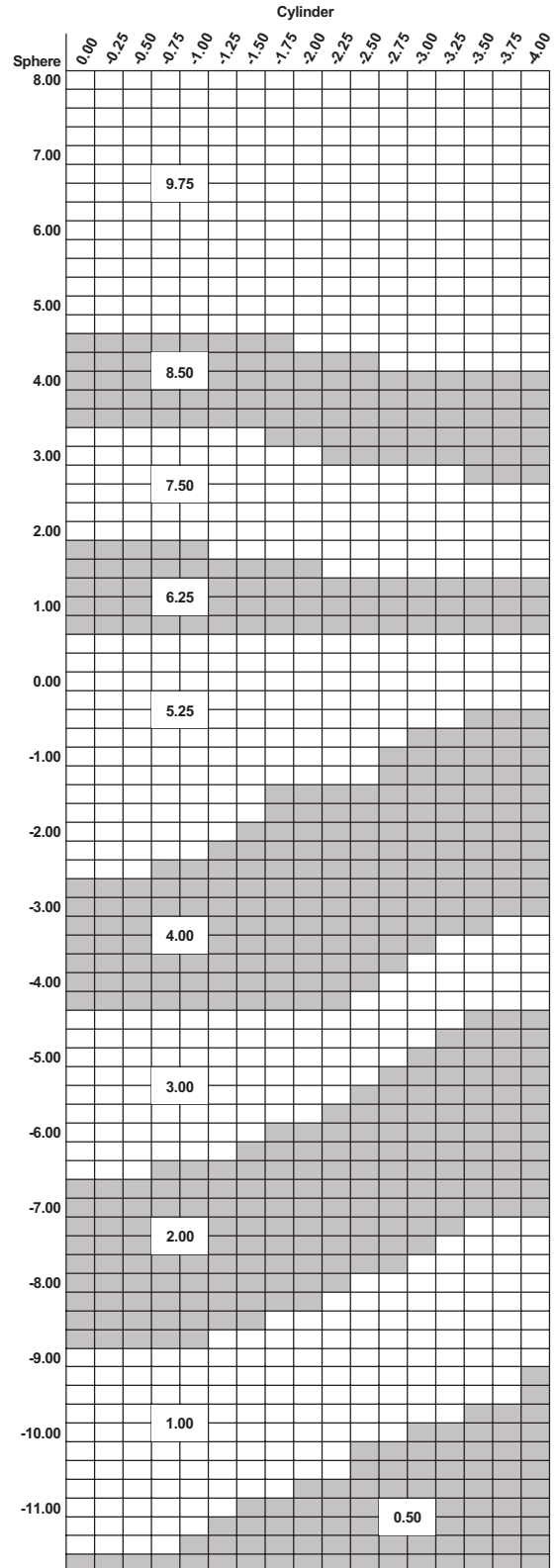
Base Curve Selection



Product Reference Guide



Base Curve Selection



Polycarbonate

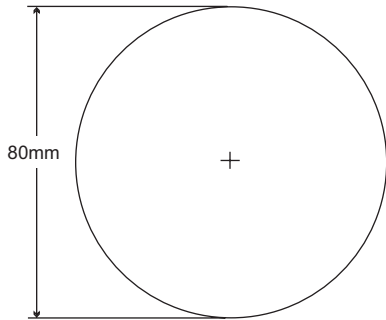
Continua[®] Semi-Finished Single Vision

75mm Spherical Single Vision - Thermal Coated

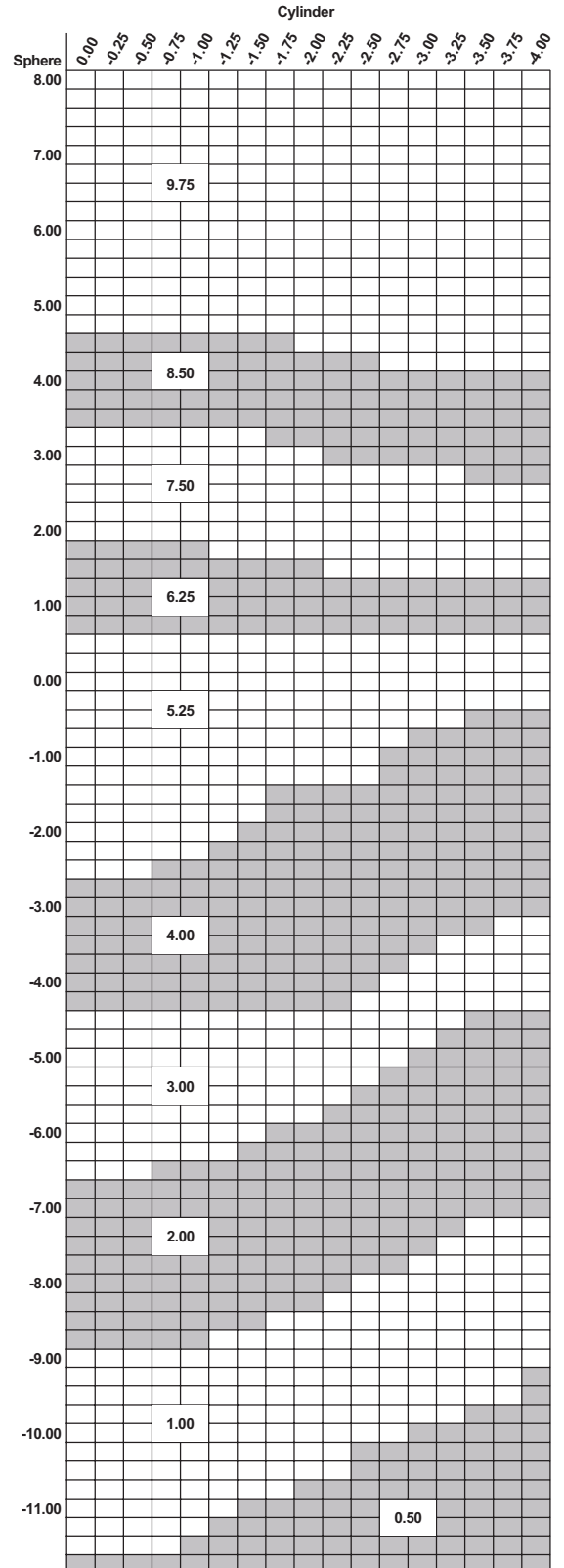
Base Curve	True Curve (1.530)	Front Radius	50mm SAG*	Back Curve	Back Radius	CT (mm) Nominal	CT (mm) Minimum	ET (mm) Nominal
0.50	0.45	1177.778	0.265	-6.25	-84.800	9.4	8.9	17.5
1.00	1.13	469.027	0.667	-6.25	-84.800	10.2	9.7	17.4
2.00	2.03	261.084	1.200	-6.25	-84.800	8.0	7.5	14.0
3.00	2.94	180.272	1.742	-6.25	-84.800	9.2	8.7	14.0
4.00	4.07	130.221	2.422	-6.25	-84.800	8.8	8.3	12.0
5.25	5.20	101.923	3.114	-6.25	-84.800	8.6	8.1	10.2
6.25	6.33	83.728	3.819	-6.25	-84.800	8.1	7.6	8.0
7.50	7.46	71.046	4.544	-6.25	-84.800	9.0	8.5	7.0
8.50	8.60	61.628	5.299	-6.25	-84.800	10.0	9.5	6.0
9.75	9.73	54.471	6.076	-7.50	-70.667	10.0	9.5	5.9

*Utilized for power calculation only, not for thickness calculation.

Product Reference Guide



Base Curve Selection



Polycarbonate

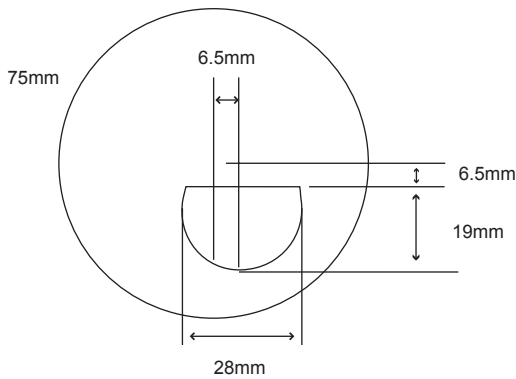
Continua[®] Semi-Finished Single Vision

80mm Spherical Single Vision - Thermal Coated

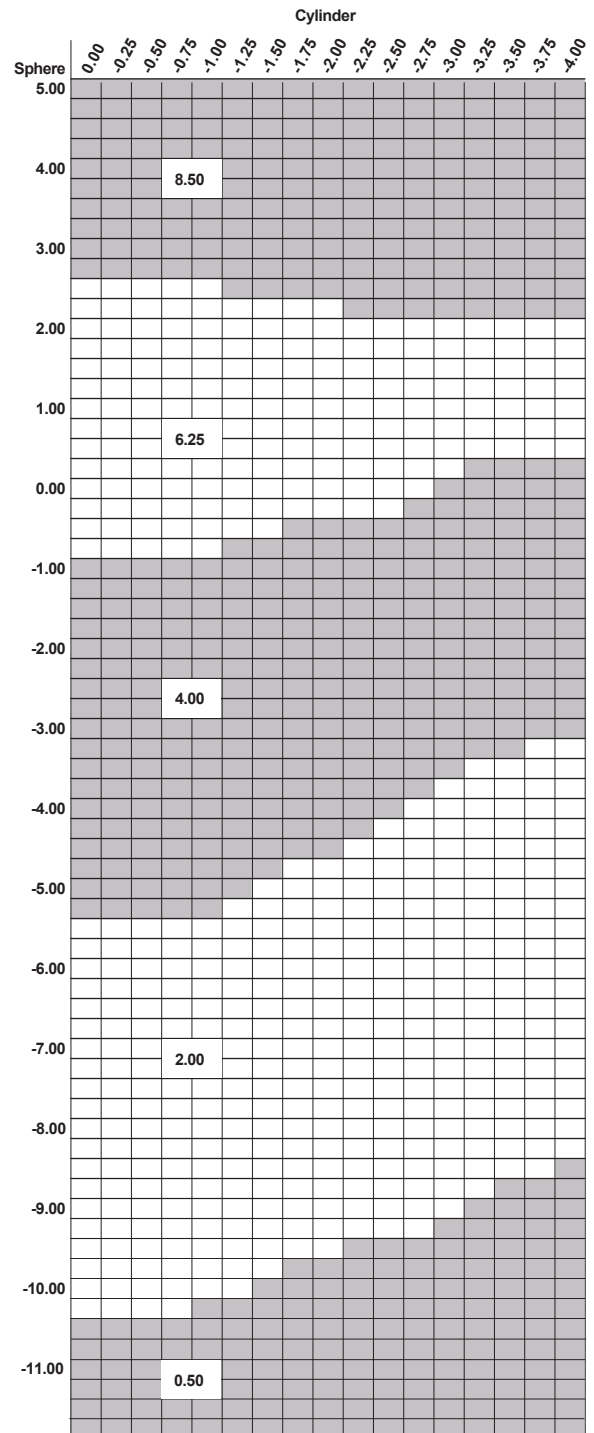
Base Curve	True Curve (1.530)	Front Radius	50mm SAG*	Back Curve	Back Radius	CT (mm) Nominal	CT (mm) Minimum	ET (mm) Nominal
0.50	0.45	1177.778	0.265	-6.25	-84.800	9.5	9.0	18.8
1.00	1.13	469.027	0.667	-6.25	-84.800	10.3	9.8	18.6
2.00	2.03	261.084	1.200	-6.25	-84.800	8.1	7.6	15.0
3.00	2.94	180.272	1.742	-6.25	-84.800	9.3	8.8	14.8
4.00	4.07	130.221	2.422	-6.25	-84.800	8.8	8.3	12.6
5.25	5.20	101.923	3.114	-6.25	-84.800	8.6	8.1	10.5
6.25	6.33	83.728	3.819	-6.25	-84.800	8.1	7.6	8.0
7.50	7.46	71.046	4.544	-6.25	-84.800	9.0	8.5	6.7
8.50	8.60	61.628	5.299	-7.50	-70.667	9.0	8.5	6.6
9.75	9.73	54.471	6.076	-7.50	-70.667	10.9	10.4	5.8

*Utilized for power calculation only, not for thickness calculation.

Product Reference Guide



Base Curve Selection



Polycarbonate

Continua® Bifocal

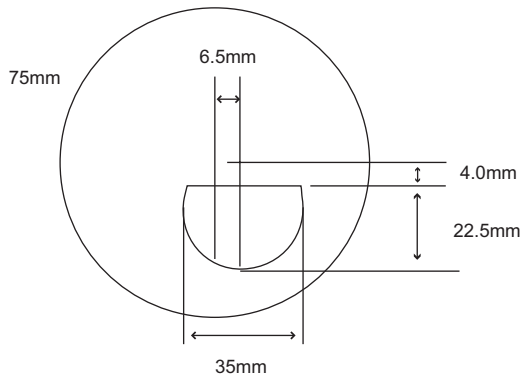
75mm Spherical D28 Bifocal

Base Curve	True Curve (1.530)	Front Radius	50mm SAG*	Back Curve	Back Radius	CT (mm) Nominal	ET (mm) Nominal	Drop	Inset
0.50	0.45	1177.778	0.265	-6.25	-84.800	8.9	17.0	6.5 D	6.5 In
2.00	2.03	261.084	1.200	-6.25	-84.800	8.0	14.0	6.5 D	6.5 In
4.00	4.07	130.221	2.422	-6.25	-84.800	8.8	12.0	6.5 D	6.5 In
6.25	6.33	83.728	3.819	-6.25	-84.800	8.6	8.5	6.5 D	6.5 In
8.50	8.60	61.628	5.299	-6.25	-84.800	10.0	6.0	6.5 D	6.5 In

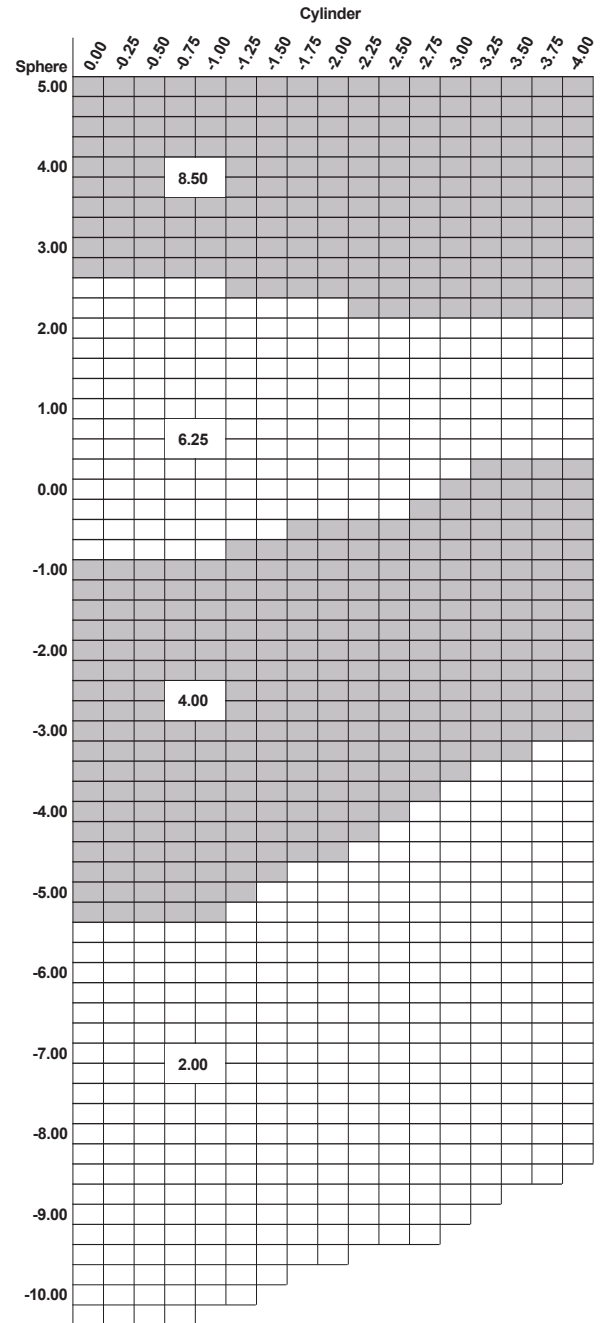
Base Curve	Clear
0.50	+1.00 to +4.00
2.00	+0.75 to +4.00
4.00	+0.75 to +4.00
6.25	+0.75 to +4.00
8.50	+0.75 to +4.00

*Utilized for power calculation only, not for thickness calculation.

Product Reference Guide



Base Curve Selection



Polycarbonate

Continua[®] Bifocal

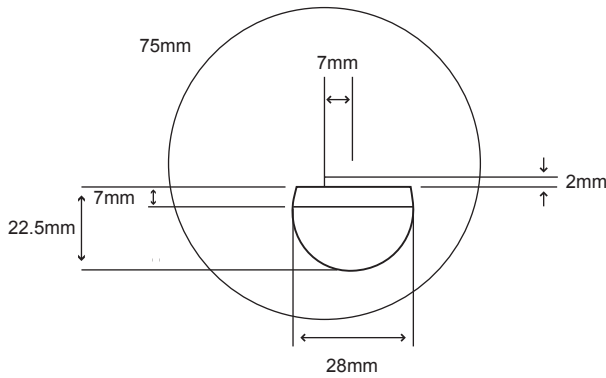
75mm Spherical D35 Bifocal

Base Curve	True Curve (1.530)	Front Radius	50mm SAG*	Back Curve	Back Radius	CT (mm) Nominal	ET (mm) Nominal	Drop	Inset
2.00	2.03	261.084	1.200	-6.25	-84.800	8.0	14.0	4.0 D	6.5 In
4.00	4.07	130.221	2.422	-6.25	-84.800	8.8	12.0	4.0 D	6.5 In
6.25	6.33	83.728	3.819	-6.25	-84.800	8.1	8.0	4.0 D	6.5 In
8.50	8.59	61.70	5.292	-6.25	-84.800	10.0	6.0	4.0 D	6.5 In

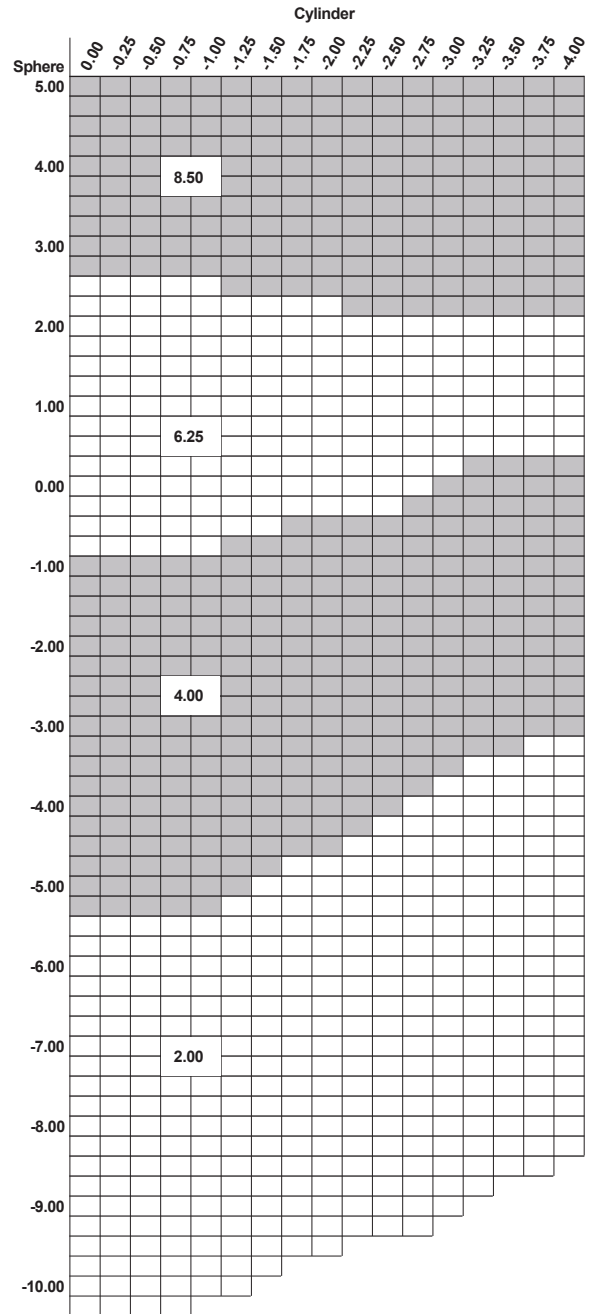
Base Curve	Clear
2.00	+1.00 to +3.00
4.00	+1.00 to +3.00
6.25	+1.00 to +3.00
8.50	+1.00 to +3.00

*Utilized for power calculation only, not for thickness calculation.

Product Reference Guide



Base Curve Selection



Polycarbonate

Continua[®] Trifocal

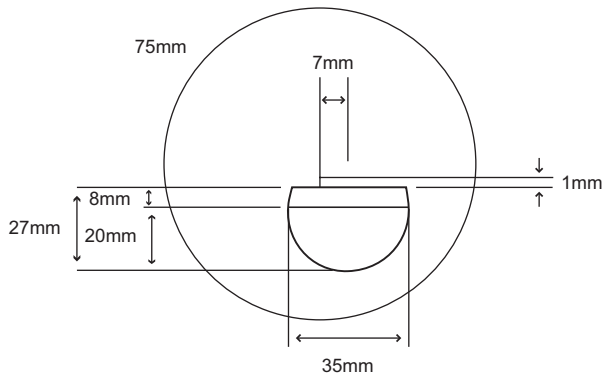
75mm Spherical 7x28 Trifocal

Base Curve	True Curve (1.530)	Front Radius	50mm SAG*	Back Curve	Back Radius	CT (mm) Nominal	ET (mm) Nominal	Drop	Inset
2.00	2.03	261.084	1.200	-6.25	-84.800	8.0	13.9	2.0 D	7.0 In
4.00	4.07	130.221	2.422	-6.25	-84.800	8.8	12.0	2.0 D	7.0 In
6.25	6.33	83.728	3.819	-6.25	-84.800	8.1	8.0	2.0 D	7.0 In
8.50	8.60	61.628	5.299	-6.25	-84.800	10.0	6.0	2.0 D	7.0 In

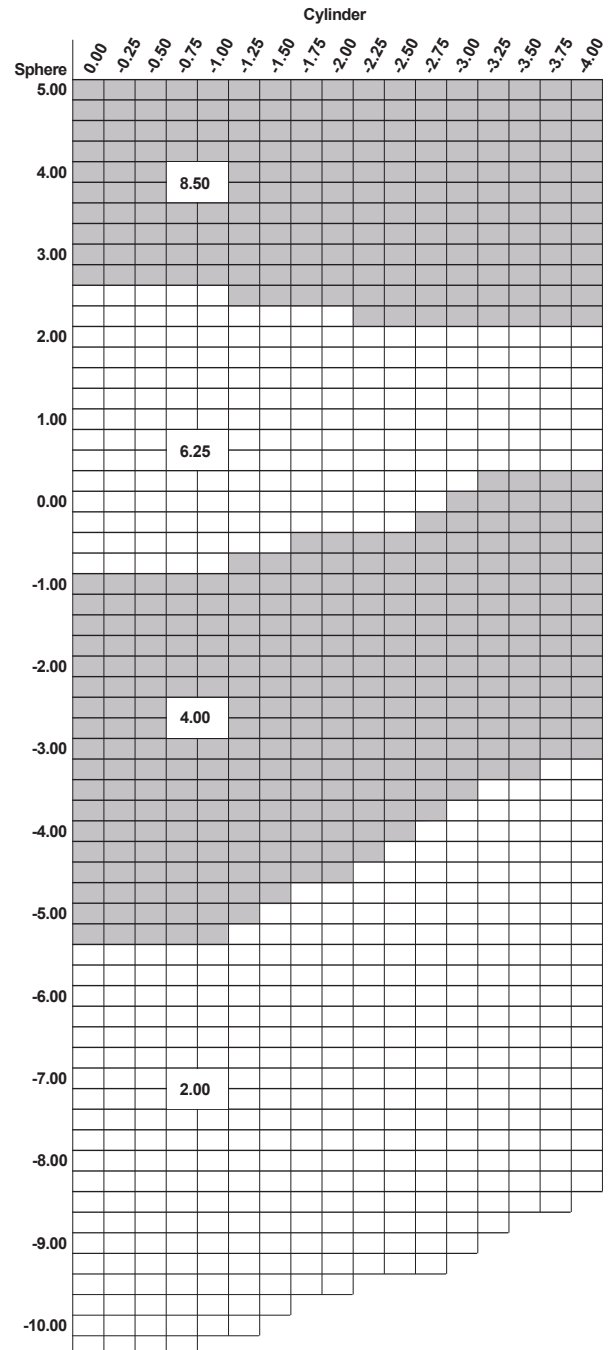
Base Curve	Clear
2.00	+1.50 to +3.00
4.00	+1.50 to +3.50, +4.00
6.25	+1.50 to +3.50, +4.00
8.50	+1.50 to +3.50, +4.00

*Utilized for power calculation only, not for thickness calculation.

Product Reference Guide



Base Curve Selection



Polycarbonate

Continua[®] Trifocal

75mm Spherical 8x35 Trifocal

Base Curve	True Curve (1.530)	Front Radius	50mm SAG*	Back Curve	Back Radius	CT (mm) Nominal	ET (mm) Nominal	Drop	Inset
2.00	2.03	261.084	1.200	-6.25	-84.800	8.0	14.1	1.0 D	7.0 In
4.00	4.07	130.221	2.422	-6.25	-84.800	8.8	12.0	1.0 D	7.0 In
6.25	6.33	83.728	3.819	-6.25	-84.800	8.1	8.0	1.0 D	7.0 In
8.50	8.60	61.628	5.299	-6.25	-84.800	10.0	6.0	1.0 D	7.0 In

Base Curve	Clear
2.00	+1.50 to +3.00
4.00	+1.50 to +3.00
6.25	+1.50 to +3.00
8.50	+1.50 to +3.00

*Utilized for power calculation only, not for thickness calculation.