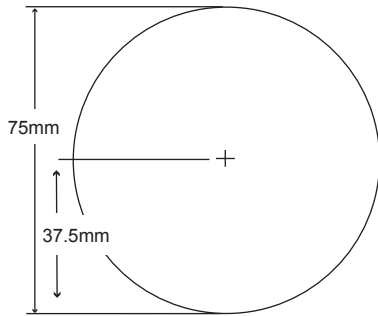
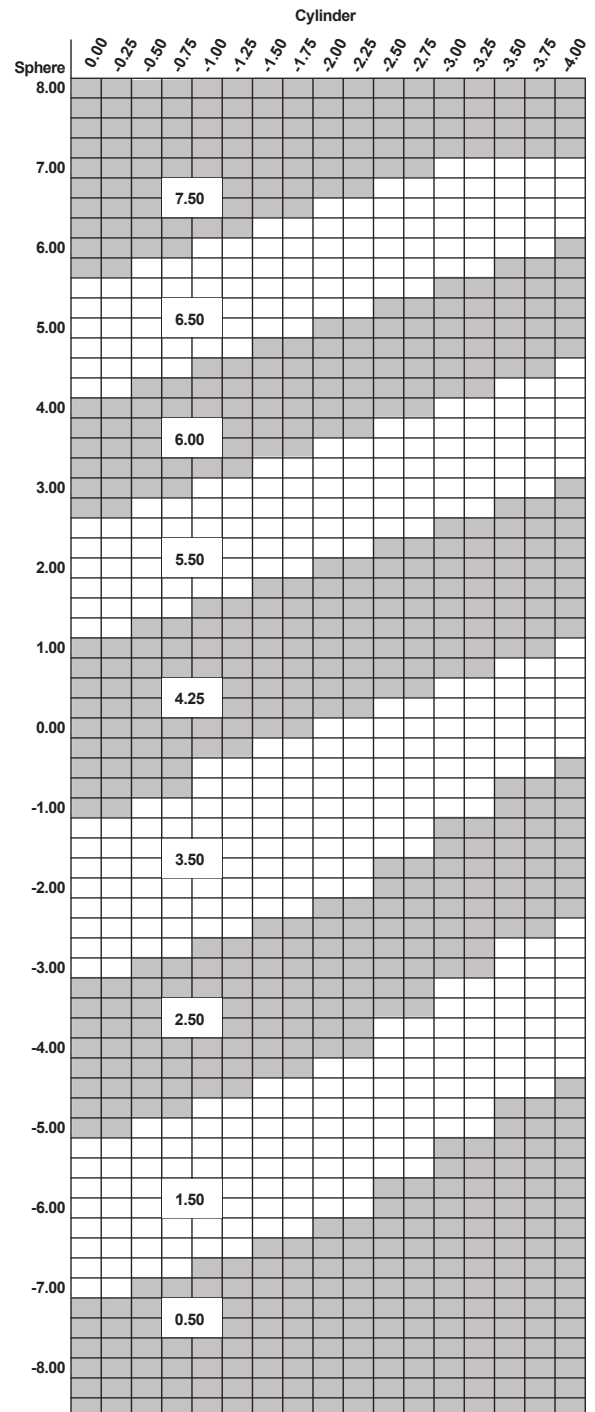


Product Reference Guide



Base Curve Selection



Polycarbonate

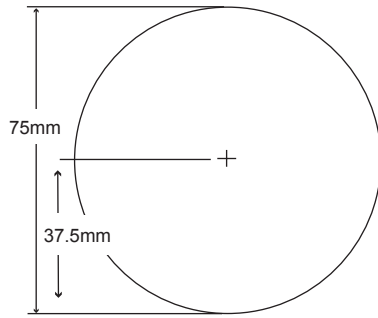
LifeRx® Light-Responsive Aspheric Semi-Finished Single Vision

75mm Photochromic Aspheric Single Vision (Gray, Brown)

| Base Curve | True Curve (1.530) | Front Radius | 50mm SAG* | Back Curve | Back Radius | CT (mm) Nominal | ET (mm) Nominal | Drop | Inset |
|------------|--------------------|--------------|-----------|------------|-------------|-----------------|-----------------|-------|--------|
| 0.50 | 0.68 | 779.412 | 0.401 | -6.25 | -84.800 | 8.7 | 16.0 | 0.0 D | 0.0 In |
| 1.50 | 1.59 | 333.333 | 0.939 | -6.25 | -84.800 | 9.8 | 16.0 | 0.0 D | 0.0 In |
| 2.50 | 2.48 | 213.710 | 1.467 | -6.25 | -84.800 | 8.9 | 14.0 | 0.0 D | 0.0 In |
| 3.50 | 3.38 | 156.805 | 2.006 | -6.25 | -84.800 | 8.0 | 12.0 | 0.0 D | 0.0 In |
| 4.25 | 4.28 | 123.832 | 2.550 | -6.25 | -84.800 | 7.0 | 10.0 | 0.0 D | 0.0 In |
| 5.50 | 5.59 | 94.812 | 3.355 | -6.25 | -84.800 | 6.7 | 8.0 | 0.0 D | 0.0 In |
| 6.00 | 6.01 | 88.186 | 3.618 | -6.25 | -84.800 | 7.0 | 8.0 | 0.0 D | 0.0 In |
| 6.50 | 6.64 | 79.819 | 4.016 | -6.25 | -84.800 | 7.6 | 8.0 | 0.0 D | 0.0 In |
| 7.50 | 7.59 | 69.829 | 5.251 | -6.25 | -84.800 | 8.9 | 8.0 | 0.0 D | 0.0 In |

*Utilized for power calculation only, not for thickness calculation.

Product Reference Guide



Polycarbonate

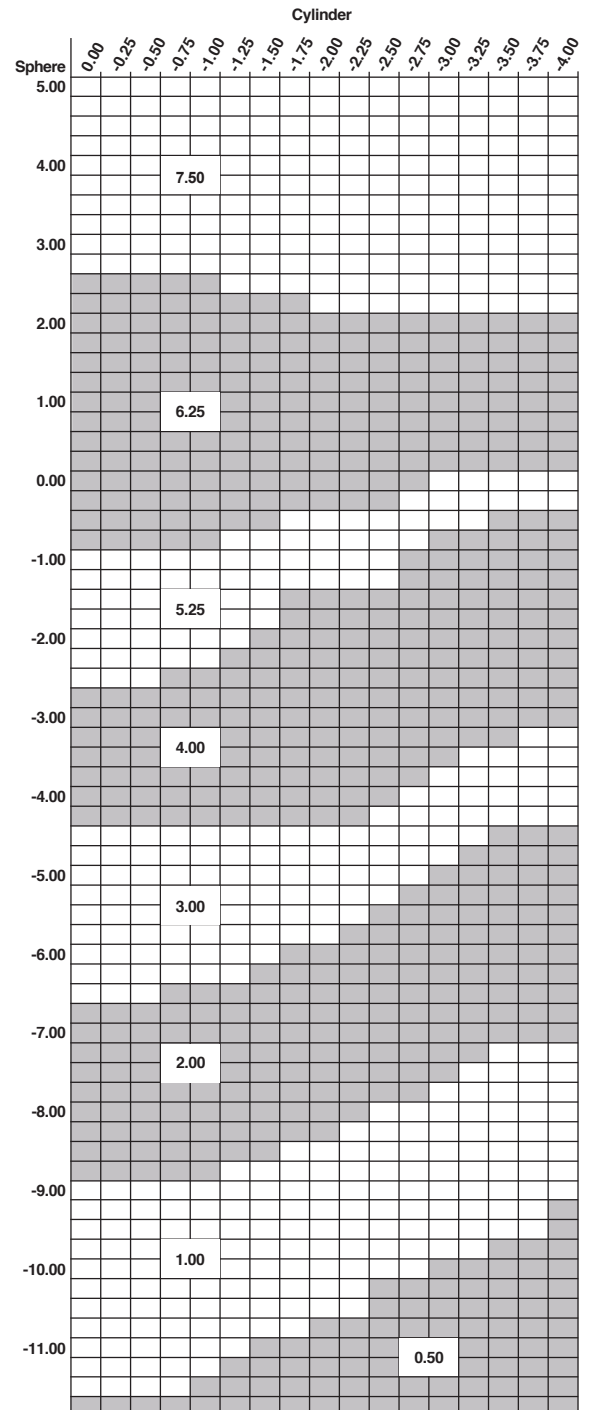
LifeRx® Light-Responsive Semi-Finished Single Vision

75mm Photochromic Single Vision (Gray, Brown)

| Base Curve | True Curve (1.530) | Front Radius | 50mm SAG* | Back Curve | Back Radius | CT (mm) Nominal | CT (mm) Minimum | ET (mm) Nominal |
|------------|--------------------|--------------|-----------|------------|-------------|-----------------|-----------------|-----------------|
| 0.50 | 0.45 | 1177.778 | 0.265 | -6.25 | -84.800 | 9.4 | 8.9 | 17.5 |
| 1.00 | 1.13 | 469.027 | 0.667 | -6.25 | -84.800 | 10.2 | 9.7 | 17.4 |
| 2.00 | 2.03 | 261.084 | 1.200 | -6.25 | -84.800 | 8.0 | 7.5 | 14.0 |
| 3.00 | 2.94 | 180.272 | 1.742 | -6.25 | -84.800 | 9.2 | 8.7 | 14.0 |
| 4.00 | 4.07 | 130.221 | 2.422 | -6.25 | -84.800 | 8.8 | 8.3 | 12.0 |
| 5.25 | 5.20 | 101.923 | 3.114 | -6.25 | -84.800 | 8.6 | 8.1 | 10.2 |
| 6.25 | 6.33 | 83.728 | 3.819 | -6.25 | -84.800 | 8.1 | 7.6 | 8.0 |
| 7.50 | 7.46 | 71.046 | 4.544 | -6.25 | -84.800 | 9.0 | 8.5 | 7.0 |

*Utilized for power calculation only, not for thickness calculation.

Base Curve Selection



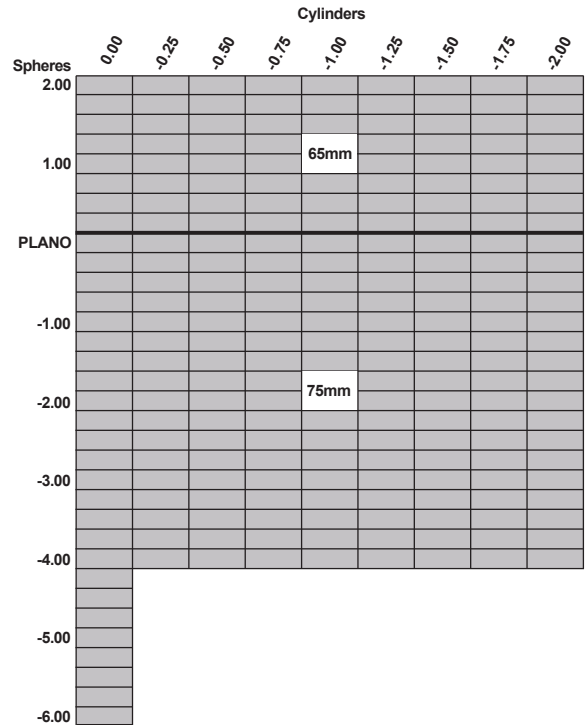
Product Reference Guide

Polycarbonate

LifeRx® FSV/FSV Vivid AR Photochromic

65mm/75mm Finished Single Vision (Gray)

Base Curve Selection



| Sphere Power Up to -2.00 cyl | Base Curve | Curve Radius | Center Thickness |
|---------------------------------|---------------|-----------------|---------------------|
| +2.00 | 5.20 | 101.923 | 3.0 |
| +1.75 | 5.20 | 101.923 | 2.8 |
| +1.50 | 5.20 | 101.923 | 2.6 |
| +1.25 | 5.20 | 101.923 | 2.4 |
| +1.00 | 5.20 | 101.923 | 2.1 |
| +0.75 | 5.20 | 101.923 | 1.9 |
| +0.50 | 5.20 | 101.923 | 1.9 |
| +0.25 | 5.20 | 101.923 | 1.8 |
| Plano | 4.07 | 130.221 | 1.9 |
| -0.25 | 4.07 | 130.221 | 1.8 |
| -0.50 | 4.07 | 130.221 | 1.8 |
| -0.75 | 4.07 | 130.221 | 1.7 |
| -1.00 | 2.94 | 180.272 | 1.7 |
| -1.25 | 2.94 | 180.272 | 1.7 |
| -1.50 | 2.94 | 180.272 | 1.7 |
| -1.75 | 2.94 | 180.272 | 1.6 |
| -2.00 | 2.94 | 180.272 | 1.6 |
| -2.25 | 2.94 | 180.272 | 1.5 |
| -2.50 | 2.94 | 180.272 | 1.5 |
| -2.75 | 2.94 | 180.272 | 1.5 |
| -3.00 | 2.03 | 261.087 | 1.5 |
| -3.25 | 2.03 | 261.087 | 1.5 |
| -3.50 | 2.03 | 261.087 | 1.5 |
| -3.75 | 2.03 | 261.087 | 1.5 |
| -4.00 | 2.03 | 261.087 | 1.5 |
| -4.25 | 2.03 | 261.087 | 1.5 |
| -4.50 | 2.03 | 261.087 | 1.5 |
| -4.75 | 2.03 | 261.087 | 1.5 |
| -5.00 | 2.03 | 261.087 | 1.5 |
| -5.25 | 1.13 | 469.027 | 1.5 |
| -5.50 | 1.13 | 469.027 | 1.5 |
| -5.75 | 1.13 | 469.027 | 1.5 |
| -6.00 | 1.13 | 469.027 | 1.5 |

Product Reference Guide

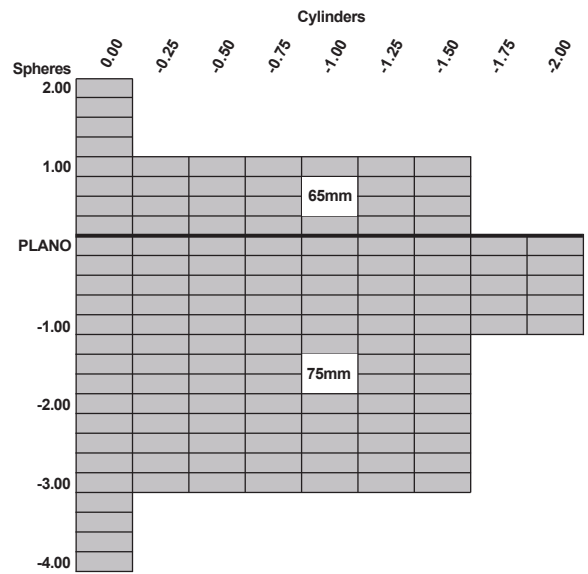
Polycarbonate

LifeRx® FSV/FSV Vivid AR Photochromic

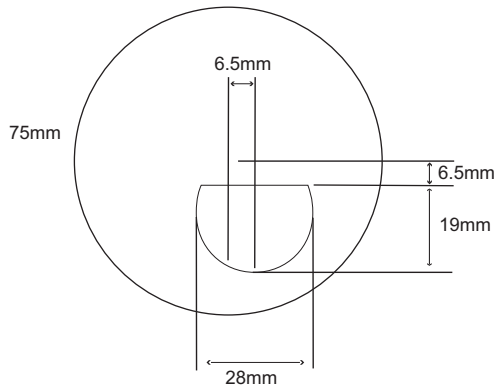
65mm/75mm Finished Single Vision (Brown)

Base Curve Selection

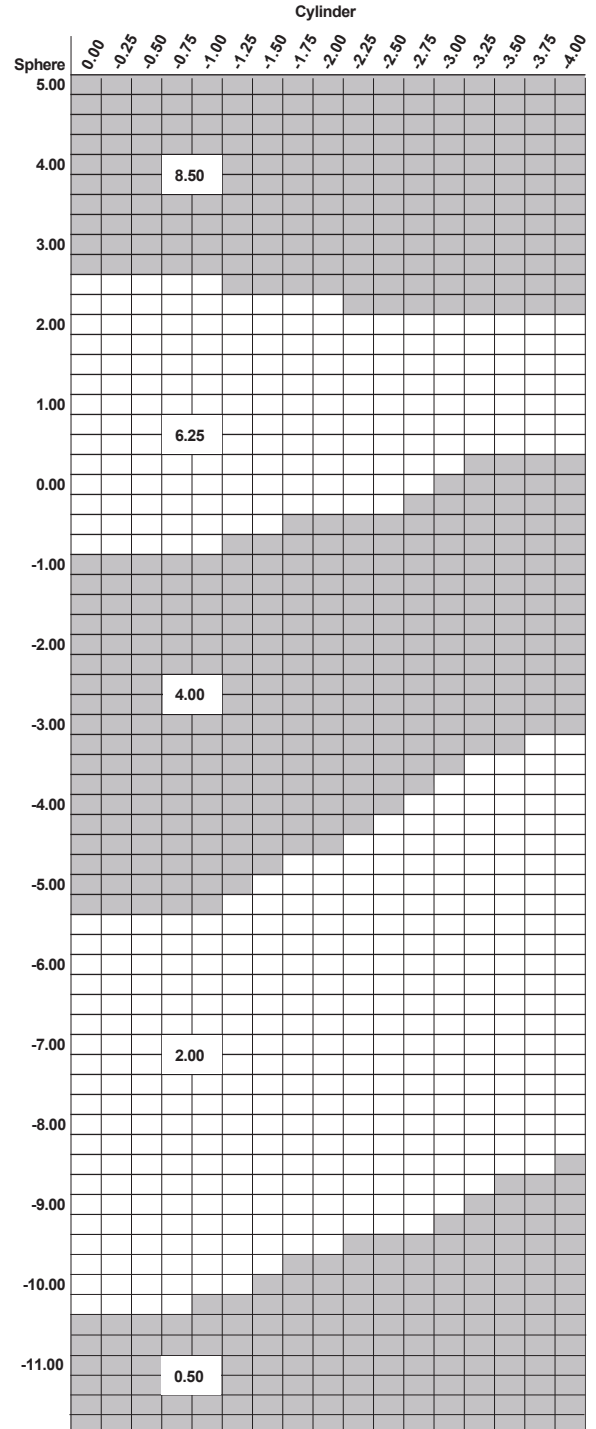
| Sphere Power Up to -2.00 cyl | Base Curve | Curve Radius | Center Thickness |
|---------------------------------|---------------|-----------------|---------------------|
| +2.00 | 5.20 | 101.923 | 3.0 |
| +1.75 | 5.20 | 101.923 | 2.8 |
| +1.50 | 5.20 | 101.923 | 2.6 |
| +1.25 | 5.20 | 101.923 | 2.4 |
| +1.00 | 5.20 | 101.923 | 2.1 |
| +0.75 | 5.20 | 101.923 | 1.9 |
| +0.50 | 5.20 | 101.923 | 1.9 |
| +0.25 | 5.20 | 101.923 | 1.8 |
| Plano | 4.07 | 130.221 | 1.9 |
| -0.25 | 4.07 | 130.221 | 1.8 |
| -0.50 | 4.07 | 130.221 | 1.8 |
| -0.75 | 4.07 | 130.221 | 1.7 |
| -1.00 | 2.94 | 180.272 | 1.7 |
| -1.25 | 2.94 | 180.272 | 1.7 |
| -1.50 | 2.94 | 180.272 | 1.7 |
| -1.75 | 2.94 | 180.272 | 1.6 |
| -2.00 | 2.94 | 180.272 | 1.6 |
| -2.25 | 2.94 | 180.272 | 1.5 |
| -2.50 | 2.94 | 180.272 | 1.5 |
| -2.75 | 2.94 | 180.272 | 1.5 |
| -3.00 | 2.03 | 261.087 | 1.5 |
| -3.25 | 2.03 | 261.087 | 1.5 |
| -3.50 | 2.03 | 261.087 | 1.5 |
| -3.75 | 2.03 | 261.087 | 1.5 |
| -4.00 | 2.03 | 261.087 | 1.5 |



Product Reference Guide



Base Curve Selection



Polycarbonate

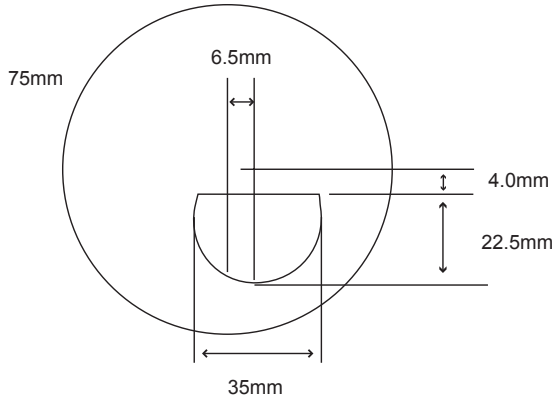
LifeRx® Light-Responsive Bifocal
75mm Photochromic Spherical D28 Bifocal (Gray, Brown)

| Base Curve | True Curve (1.530) | Front Radius | 50mm SAG* | Back Curve | Back Radius | CT (mm) Nominal | ET (mm) Nominal | Drop | Inset |
|------------|--------------------|--------------|-----------|------------|-------------|-----------------|-----------------|-------|--------|
| 0.50 | 0.44 | 1204.54 | 0.260 | -6.25 | -84.800 | 8.9 | 17.0 | 6.5 D | 6.5 In |
| 2.00 | 2.03 | 261.084 | 1.200 | -6.25 | -84.800 | 8.0 | 14.0 | 6.5 D | 6.5 In |
| 4.00 | 4.07 | 130.221 | 2.422 | -6.25 | -84.800 | 8.8 | 12.0 | 6.5 D | 6.5 In |
| 6.25 | 6.36 | 83.333 | 3.838 | -6.25 | -84.800 | 8.6 | 8.5 | 6.5 D | 6.5 In |
| 8.50 | 8.59 | 61.69 | 5.290 | -7.50 | -70.667 | 9.0 | 7.0 | 6.5 D | 6.5 In |

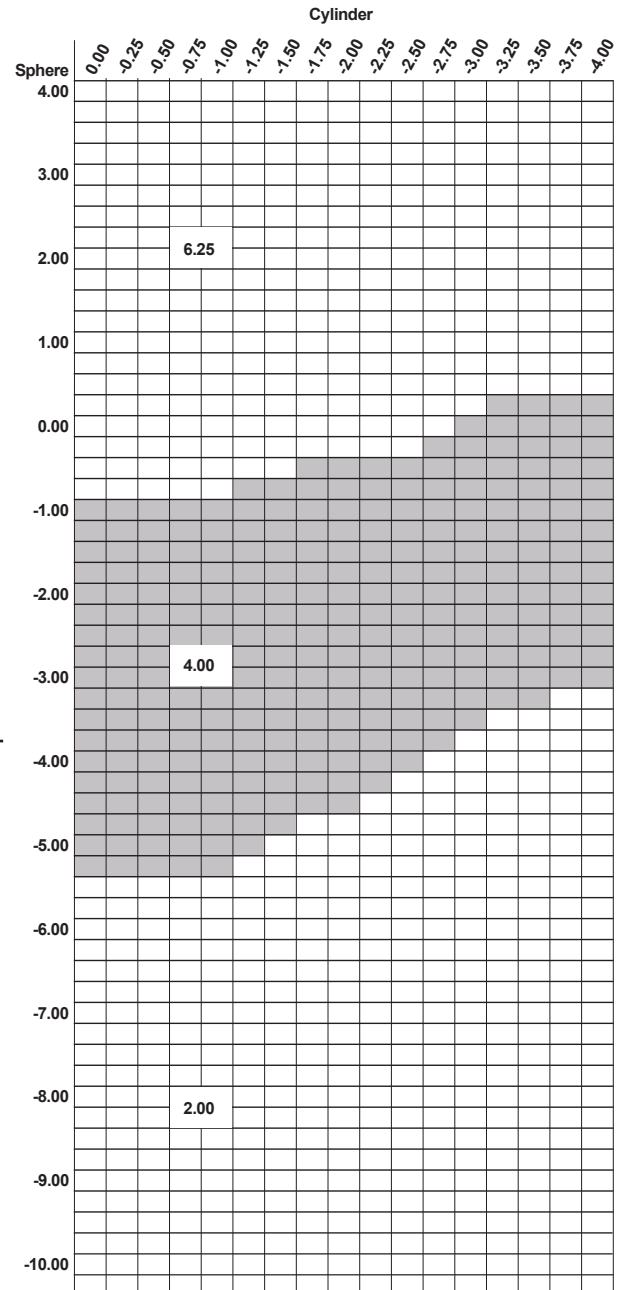
| Base Curve | Gray | Brown |
|------------|----------------|----------------|
| 0.50 | +2.00 to +3.00 | +2.00 to +3.00 |
| 2.00 | +1.00 to +4.00 | +1.00 to +4.00 |
| 4.00 | +1.00 to +4.00 | +1.00 to +4.00 |
| 6.25 | +1.00 to +4.00 | +1.00 to +4.00 |
| 8.50 | +1.00 to +4.00 | +1.00 to +4.00 |

*Utilized for power calculation only, not for thickness calculation.

Product Reference Guide



Base Curve Selection



Polycarbonate

LifeRx® Light-Responsive Bifocal

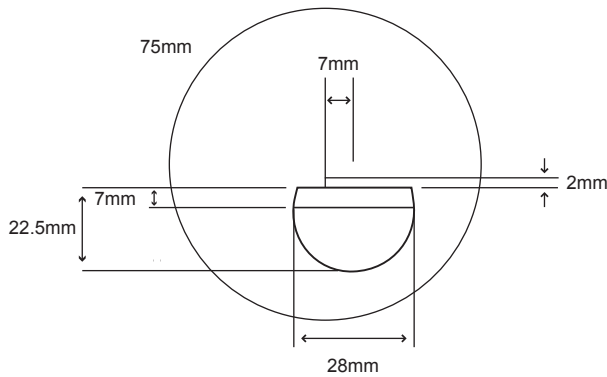
75mm Photochromic Spherical D35 Bifocal (Gray, Brown)

| Base Curve | True Curve (1.530) | Front Radius | 50mm SAG* | Back Curve | Back Radius | CT (mm) Nominal | ET (mm) Nominal | Drop | Inset |
|------------|--------------------|--------------|-----------|------------|-------------|-----------------|-----------------|-------|--------|
| 2.00 | 2.03 | 261.084 | 1.200 | -6.25 | -84.800 | 8.0 | 14.0 | 4.0 D | 6.5 In |
| 4.00 | 4.07 | 130.221 | 2.422 | -6.25 | -84.800 | 8.8 | 12.0 | 4.0 D | 6.5 In |
| 6.25 | 6.33 | 83.728 | 3.819 | -6.25 | -84.800 | 8.6 | 8.5 | 4.0 D | 6.5 In |

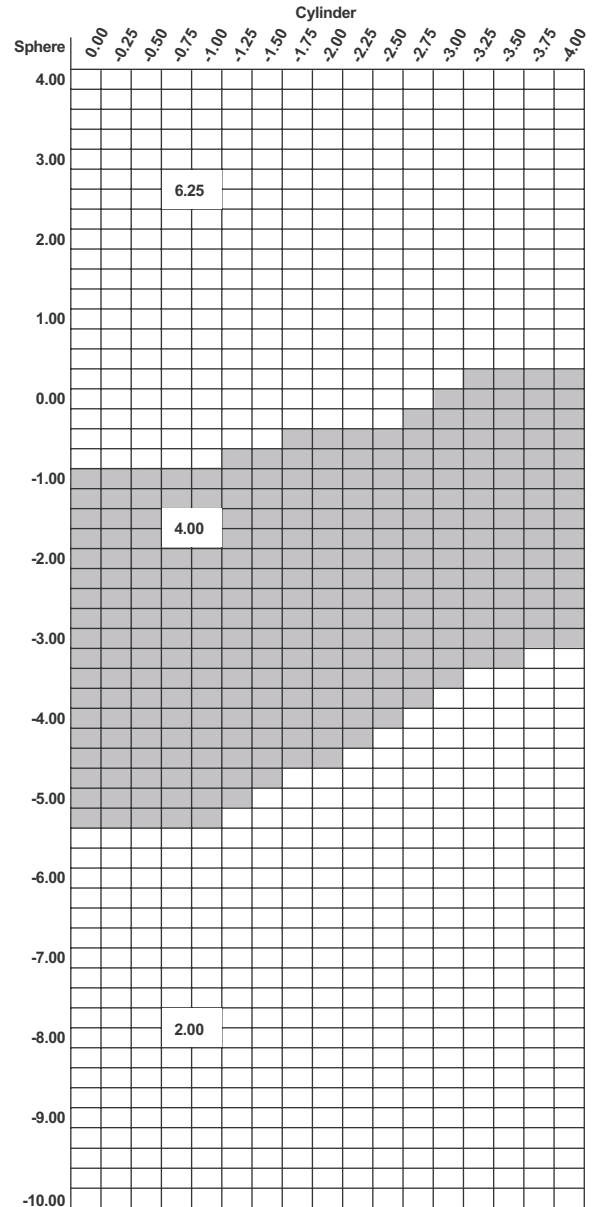
| Base Curve | Gray | Brown |
|------------|----------------|----------------|
| 2.00 | +1.00 to +3.00 | +1.00 to +3.00 |
| 4.00 | +1.00 to +3.00 | +1.00 to +3.00 |
| 6.25 | +1.00 to +3.00 | +1.00 to +3.00 |

*Utilized for power calculation only, not for thickness calculation.

Product Reference Guide



Base Curve Selection



Polycarbonate

LifeRx® Light-Responsive Trifocal

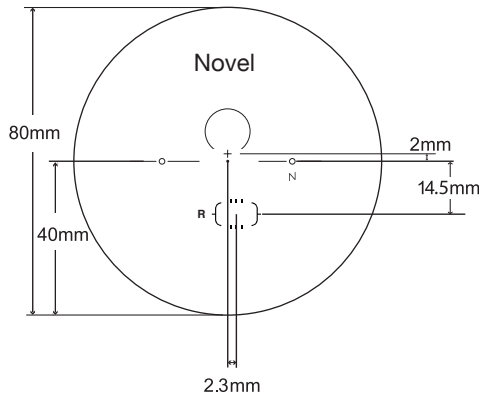
75mm Photochromic Spherical 7x28 Trifocal (Gray, Brown)

| Base Curve | True Curve (1.530) | Front Radius | 50mm SAG* | Back Curve | Back Radius | CT (mm) Nominal | ET (mm) Nominal Drop | Inset |
|------------|--------------------|--------------|-----------|------------|-------------|-----------------|----------------------|--------|
| 2.00 | 2.03 | 261.084 | 1.200 | -6.25 | -84.800 | 8.0 | 14.0 2.0 D | 7.0 In |
| 4.00 | 4.07 | 130.221 | 2.422 | -6.25 | -84.800 | 8.8 | 12.0 2.0 D | 7.0 In |
| 6.25 | 6.36 | 83.333 | 3.838 | -6.25 | -84.800 | 8.6 | 8.5 2.0 D | 7.0 In |

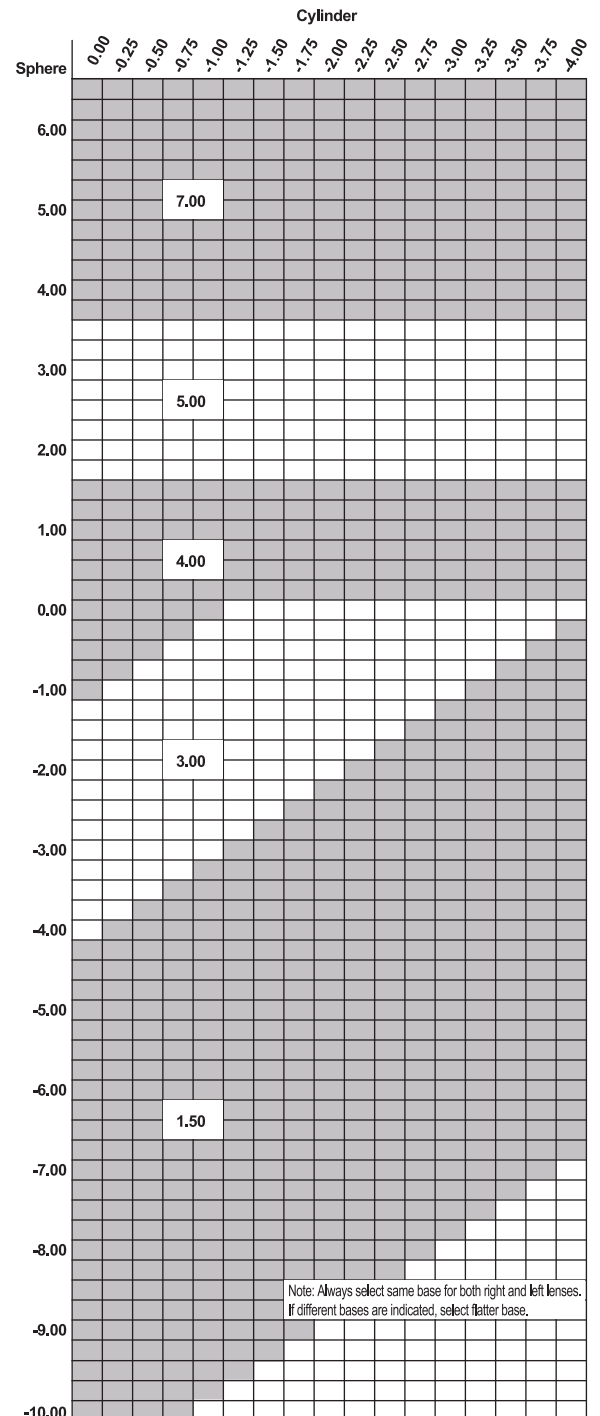
| Base Curve | Gray | Brown |
|------------|----------------|----------------|
| 2.00 | +1.50 to +3.00 | +1.50 to +3.00 |
| 4.00 | +1.50 to +3.00 | +1.50 to +3.00 |
| 6.25 | +1.50 to +3.00 | +1.50 to +3.00 |

*Utilized for power calculation only, not for thickness calculation.

Product Reference Guide



Base Curve Selection



Polycarbonate

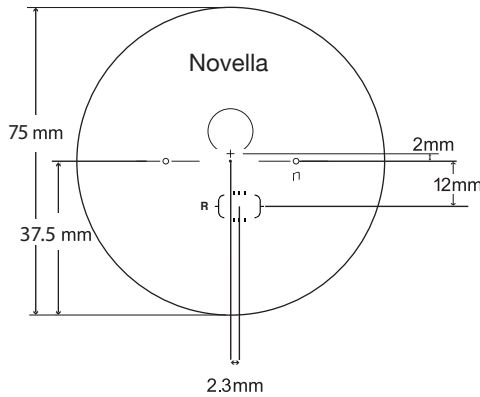
Novel® LifeRx® Aspheric Progressive Addition Lenses

80mm Photochromic Progressive (Gray and Brown)

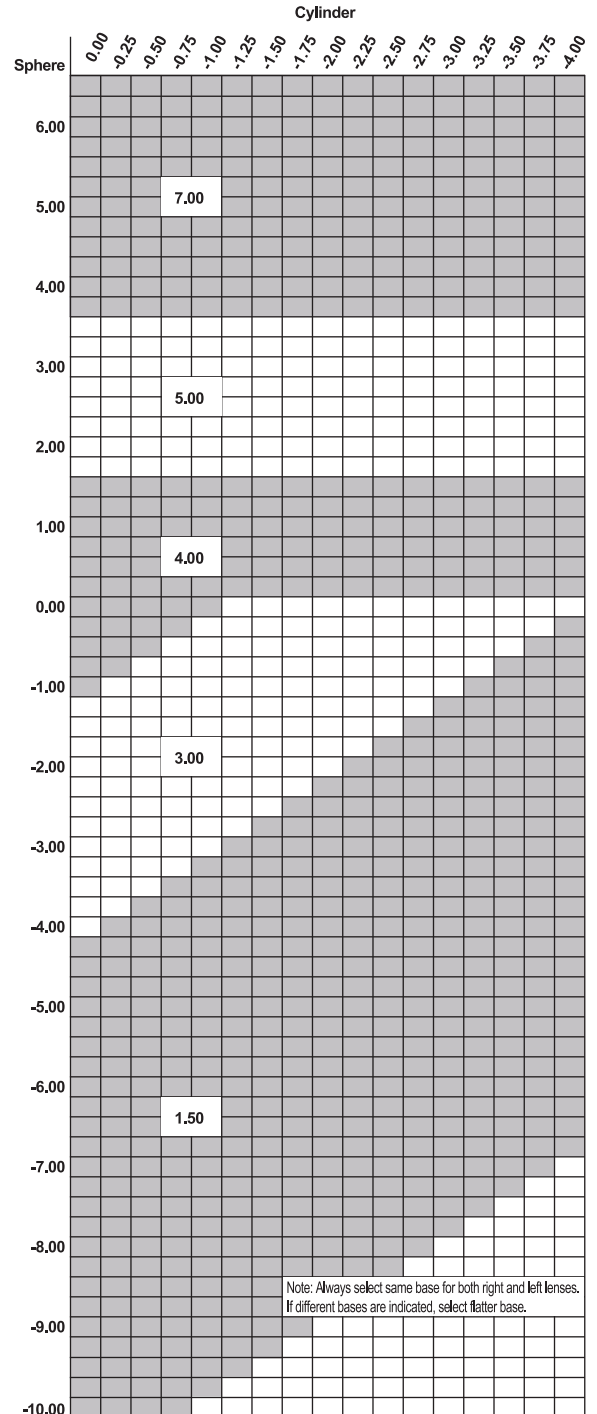
| Base Curve | True Curve (1.530) | Front Radius (mm) | 50mm SAG* | Back Curve | Back Radius (mm) | CT (mm) Nominal | ET (mm) Nominal | MRP Location |
|------------|--------------------|-------------------|-----------|------------|------------------|-----------------|-----------------|--------------|
| 1.50 | 1.31 | 404.58 | 0.773 | -7.50 | -70.67 | 7.0 | 16.9 | 2.0 A 0.0 In |
| 3.00 | 2.73 | 194.14 | 1.616 | -6.25 | -84.8 | 7.5 | 12.9 | 2.0 A 0.0 In |
| 4.00 | 4.15 | 127.71 | 2.471 | -6.25 | -84.8 | 8.0 | 11.2 | 2.0 A 0.0 In |
| 5.00 | 5.37 | 98.70 | 3.219 | -6.25 | -84.8 | 10.1 | 11.3 | 2.0 A 0.0 In |
| 7.00 | 6.90 | 76.81 | 4.182 | -7.50 | -70.65 | 10.0 | 11.0 | 2.0 A 0.0 In |

| Base Curve | Adds |
|------------|----------------|
| 1.50 | +1.00 to +3.00 |
| 3.00 | +1.00 to +3.00 |
| 4.00 | +1.00 to +3.00 |
| 5.00 | +1.00 to +3.00 |
| 7.00 | +1.00 to +3.00 |

Product Reference Guide



Base Curve Selection



Polycarbonate

Novella® LifeRx® Aspheric Progressive Addition Lenses

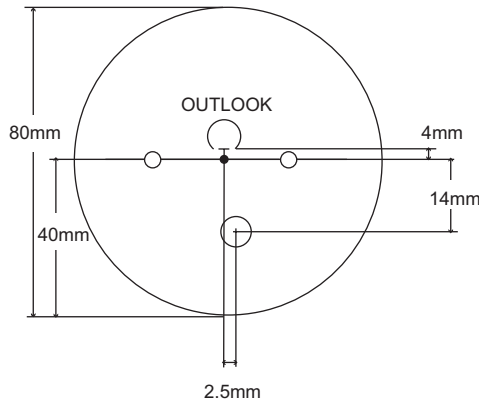
75mm Photochromic Progressive (Gray and Brown)

| Base Curve | True Curve (1.530) | Front Radius | 50mm SAG* | Back Curve | Back Radius | CT (mm) Nominal | ET (mm) Nominal | MRP | Location |
|------------|--------------------|--------------|-----------|------------|-------------|-----------------|-----------------|-------|----------|
| 1.50 | 1.22 | 434.426 | 0.720 | -7.50 | -70.65 | 7.0 | 16.9 | 2.0 A | 0.0 In |
| 3.00 | 2.65 | 200.00 | 1.568 | -6.25 | -84.8 | 7.5 | 12.9 | 2.0 A | 0.0 In |
| 4.00 | 4.07 | 130.221 | 2.422 | -6.25 | -84.8 | 8.0 | 11.2 | 2.0 A | 0.0 In |
| 5.00 | 5.29 | 100.19 | 3.170 | -6.25 | -84.8 | 10.1 | 11.3 | 2.0 A | 0.0 In |
| 7.00 | 6.82 | 77.713 | 4.131 | -7.50 | -70.65 | 10.0 | 11.0 | 2.0 A | 0.0 In |

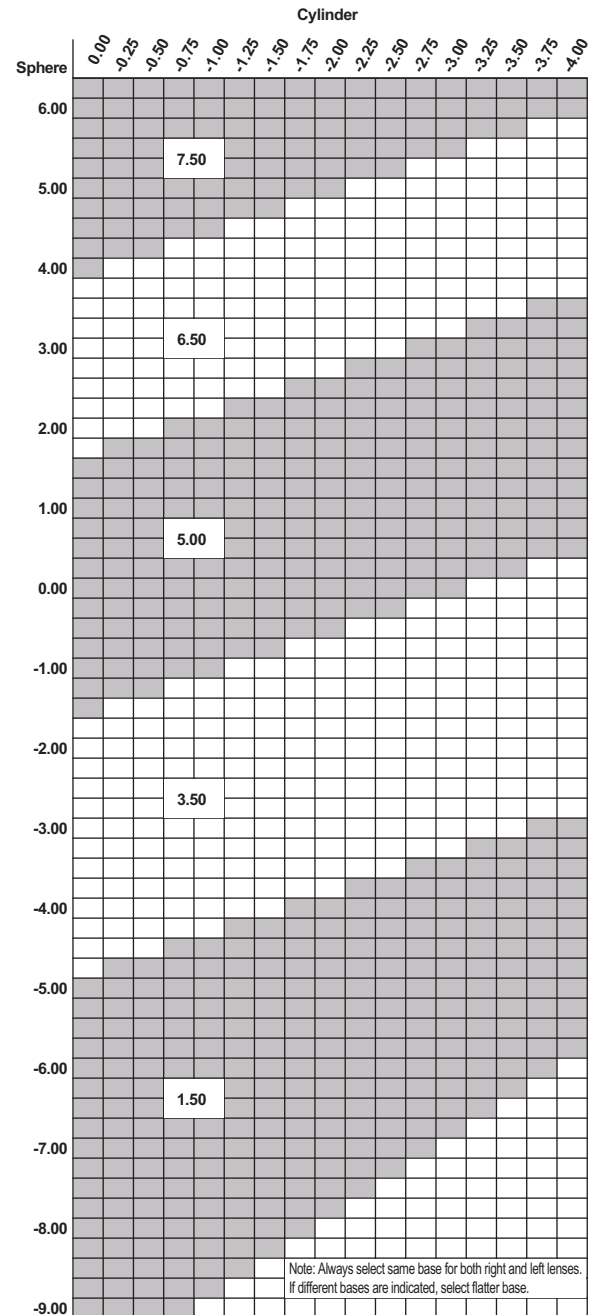
| Base Curve | Clear |
|------------|----------------|
| 1.50 | +1.00 to +3.00 |
| 3.00 | +1.00 to +3.00 |
| 4.00 | +1.00 to +3.00 |
| 5.00 | +1.00 to +3.00 |
| 7.00 | +1.00 to +3.00 |

*Utilized for power calculation only, not for thickness calculation.

Product Reference Guide



Base Curve Selection



Polycarbonate

Outlook® LifeRx® Light-Responsive Progressive Addition Lenses
80mm Progressive (Gray)

| Base Curve | True Curve (1.530) | Front Radius | 50mm SAG* | Back Curve | Back Radius | CT (mm) Nominal | ET (mm) Nominal | MRP | Location |
|------------|--------------------|--------------|-----------|------------|-------------|-----------------|-----------------|-------|----------|
| 1.50 | 1.61 | 329.193 | 0.951 | -6.25 | -84.800 | 8.5 | 15.5 | 4.0 A | 0.0 In |
| 3.50 | 3.38 | 156.805 | 2.006 | -6.25 | -84.800 | 9.6 | 13.5 | 4.0 A | 0.0 In |
| 5.00 | 4.95 | 107.071 | 2.959 | -6.25 | -84.800 | 9.1 | 10.5 | 4.0 A | 0.0 In |
| 6.50 | 6.44 | 82.298 | 3.889 | -6.25 | -84.800 | 10.9 | 9.5 | 4.0 A | 0.0 In |
| 7.50 | 7.59 | 69.829 | 4.629 | -7.50 | -70.667 | 12.0 | 10.5 | 4.0 A | 0.0 In |

| Base Curve | Gray | Brown |
|------------|----------------|----------------|
| 1.50 | +0.75 to +3.50 | +0.75 to +3.50 |
| 3.50 | +0.75 to +3.50 | +0.75 to +3.50 |
| 5.00 | +0.75 to +3.50 | +0.75 to +3.50 |
| 6.50 | +0.75 to +3.50 | +0.75 to +3.50 |
| 7.50 | +0.75 to +3.50 | +0.75 to +3.50 |

*Utilized for power calculation only, not for thickness calculation.