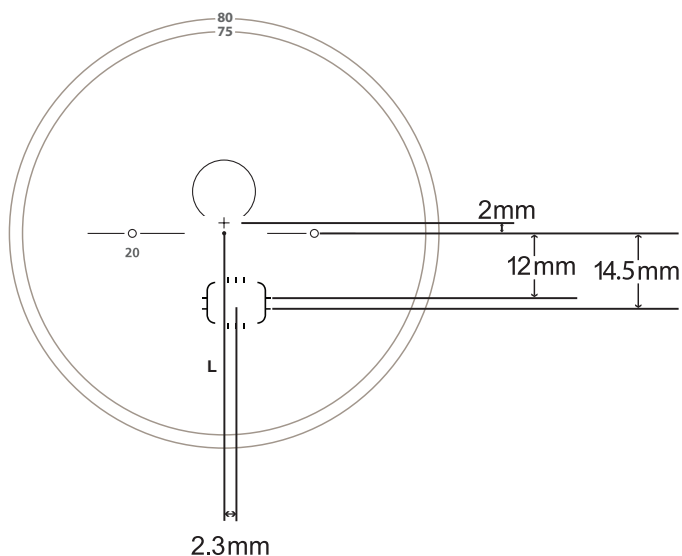


PRODUCT REFERENCE GUIDE



Digitally Surfaced Backside Design

Corridor Length	Minimum Fit Height
11mm	14
13mm	16.5



DIGITAL PROGRESSIVE

14/16.5mm min. fitting height

PRODUCT	MATERIAL	POWER RANGE	ADDS
Narrative Clear	Poly	-10.00 to +6.00	+1.00 to +3.00
Narrative SunRx	Poly	-10.00 to +6.00	+1.00 to +3.00
Narrative SunRx Mirrors	Poly	-10.00 to +6.00	+1.00 to +3.00
Narrative LifeRx	Poly	-10.00 to +6.00	+1.00 to +3.00
Narrative Coppertone	Poly	-10.00 to +6.00	+1.00 to +3.00
Narrative Transitions Signature 7	Poly	-10.00 to +6.00	+1.00 to +3.00
Narrative Transitions Vantage	Poly	-10.00 to +6.00	+1.00 to +3.00
Narrative Transitions XTRActive	Poly	-10.00 to +6.00	+1.00 to +3.00
Narrative SunRx	Plastic	-8.00 to +4.00	+1.00 to +3.00
Narrative Clear	Plastic	-8.00 to +4.00	+1.00 to +3.00
Narrative ChangeRx	Plastic	-8.00 to +4.00	+1.00 to +3.00
Narrative Transitions 7	Plastic	-8.00 to +4.00	+1.00 to +3.00
Narrative Clear	Trivex	-8.00 to +6.00	+1.00 to +3.00
Narrative Transitions	Trivex	-8.00 to +6.00	+1.00 to +3.00
Narrative Transitions Vantage	Trivex	-8.00 to +6.00	+1.00 to +3.00
Narrative Transitions XTRActive	Trivex	-8.00 to +6.00	+1.00 to +3.00
Narrative Clear	1.67 High Index	-10.00 to +6.00	+1.00 to +3.00
Narrative Transitions 7	1.67 High Index	-10.00 to +6.00	+1.00 to +3.00
Narrative Thindex	1.70 High Index	-10.00 to +6.00	+1.00 to +3.00
Narrative Thindex Transitions 7	1.70 High Index	-10.00 to +6.00	+1.00 to +3.00

Note:

- Progressive lens power ranges represent total power including cylinder in minus cylinder form (-4 cyl max.)
- Please call on out-of-range Rx's: 800-328-3449.